

02

Plug connectors and valve plugs



Plug connectors and valve plugs

2.1 M8 molding cables and connectors

- 2.1.01 - 06 M8 field wiring
- 2.1.07 - 08 M8 flange socket
- 2.1.09 - 19 M8 precast line
- 2.1.20 M8 Y plug

2.2 M12 molding cables and connectors

- 2.2.01 - 11 M12 field wiring
- 2.2.12 - 18 M12 flange socket
- 2.2.19 - 38 M12 precast line
- 2.2.39 - 42 M12 Y plug
- 2.2.43 - 45 High temperature wire harness connector
- 2.2.46 - 50 IP69K-ECOLAB
- 2.2.51 Tee joint
- 2.2.52 - 62 Welding slag resistant PUR line

2.3 Valve plug



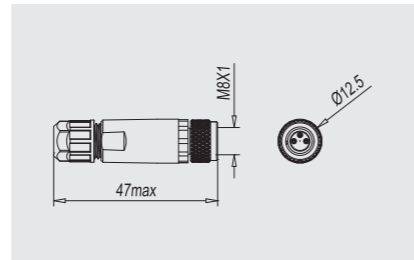
Plug connector M8 straight or right angle female, male, 3-pin

M8 straight female

Wiring method: Screw terminal



Plug front view	Part number	Order code
	FCC M333-0000-10-31X350	63F001

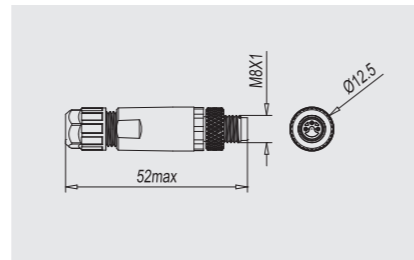


M8 straight male

Wiring method: Screw terminal



Plug front view	Part number	Order code
	FCC M333-0000-20-31X350	63F041

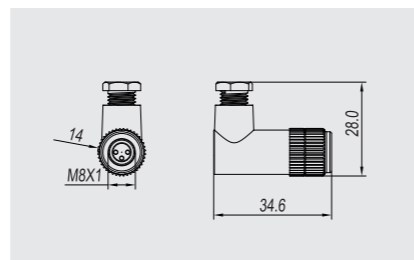


M8 right angle female

Wiring method: Screw terminal



Plug front view	Part number	Order code
	FCC M343-0000-10-31X350	63F003

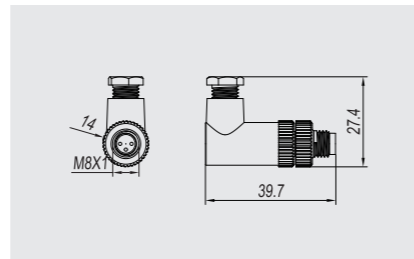


M8 right angle male

Wiring method: Screw terminal



Plug front view	Part number	Order code
	FCC M343-0000-20-31X350	63F043



Technical parameter

3 Pin	
Max. supply voltage AC U _B	60V AC
Max. supply voltage DC U _B	60V DC
Cable	User-fabricated
Number of conductors x conductor cross-section	3×0.14...0.5 mm ²
Cable diameter	Ø3.5 - 5 mm
Connection method	Screw terminal
Degree of protection as per IEC 60529	IP 67
Ambient temperature T _a	-40...+85 °C

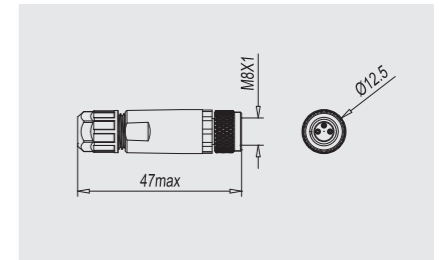
Plug connectors M8 straight or right angle female, male, 3-pin

M8 straight female

Wiring method: Push-in terminal



Plug front view	Part number	Order code
	FCC M333-0000-10-35X375	63F301

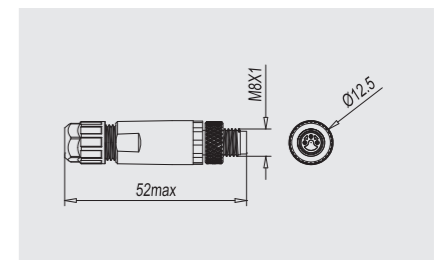


M8 straight male

Wiring method: Push-in terminal



Plug front view	Part number	Order code
	FCC M333-0000-20-35X375	63F341



Technical parameter

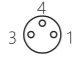
3 Pin	
Max. supply voltage AC U _B	60V AC
Max. supply voltage DC U _B	60V DC
Cable	User-fabricated
Number of conductors x conductor cross-section	3×0.14...0.75 mm ² (Bare wire)
Cable diameter	Ø2 - 5 mm
Connection method	Push-in terminal
Degree of protection as per IEC 60529	IP 67
Ambient temperature T _a	-40...+85 °C

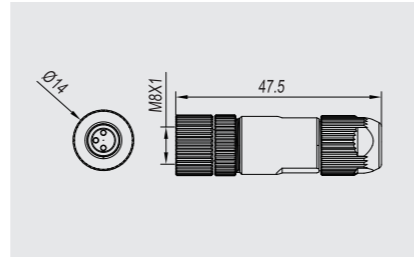
Plug connectors M8 straight or right angle female, male, 3-pin

M8 straight female

Wiring method: Screw terminal




Plug front view	Part number	Order code
	FCC M373-0000-10-41X350	63F281

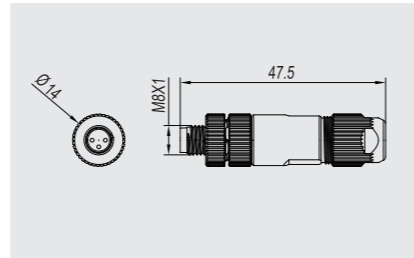


M8 straight male

Wiring method: Screw terminal



Plug front view	Part number	Order code
	FCC M373-0000-20-41X350	63F261



Technical parameter


3 Pin	
Max. supply voltage AC U _B	60V AC
Max. supply voltage DC U _B	60V DC
Cable	User-fabricated
Number of conductors x conductor cross-section	3×0.14...0.5 mm ²
Cable diameter	Max. 6.5 mm
Connection method	Screw terminal (Shield)
Degree of protection as per IEC 60529	IP 67
Ambient temperature T _a	-40...+85 °C

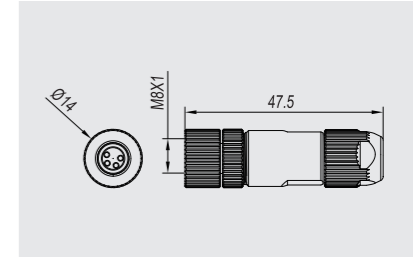
Plug connectors M8 straight or right angle female, male, 4-pin

M8 straight female

Wiring method: Screw terminal




Plug front view	Part number	Order code
	FCC-M374-0000-10-41X450	63F181

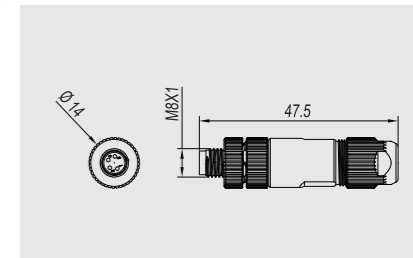


M8 straight male

Wiring method: Screw terminal



Plug front view	Part number	Order code
	FCC-M374-0000-20-41X450	63F161



Technical parameter

4 Pin	
Max. supply voltage AC U _B	30V AC
Max. supply voltage DC U _B	30V DC
Cable	User-fabricated
Number of conductors x conductor cross-section	4×0.14...0.5 mm ²
Cable diameter	Max. 6.5 mm
Connection method	Screw terminal (Shield)
Degree of protection as per IEC 60529	IP 67
Ambient temperature T _a	-40...+85 °C

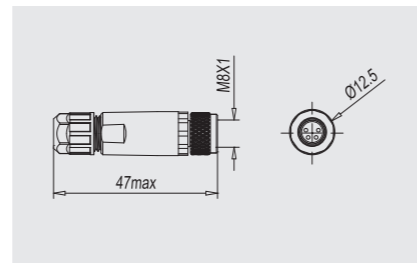
Plug connectors M8 straight or right angle female, male, 4-pin

M8 straight female

Wiring method: Screw terminal



Plug front view	Part number	Order code
	FCC-M334-0000-10-31X450	63F081

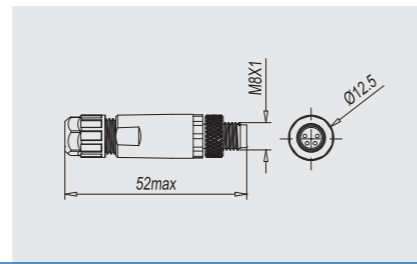


M8 straight male

Wiring method: Screw terminal



Plug front view	Part number	Order code
	FCC-M334-0000-20-31X450	63F121

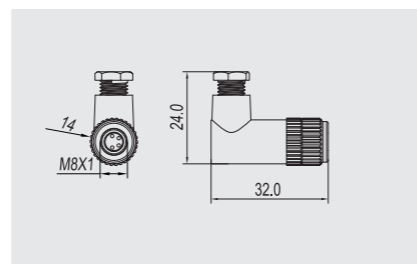


M8 right angle female

Wiring method: Screw terminal



Plug front view	Part number	Order code
	FCC M344-0000-10-31X450	63F083

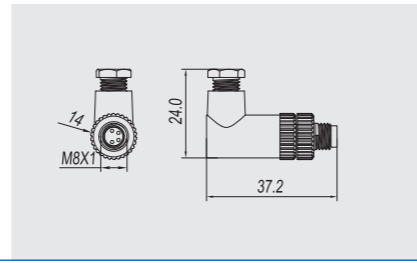


M8 right angle male

Wiring method: Screw terminal



Plug front view	Part number	Order code
	FCC M344-0000-20-31X450	63F123



Technical parameter

4 Pin	
Max. supply voltage AC U _B	60V AC
Max. supply voltage DC U _B	60V DC
Cable	User-fabricated
Number of conductors x conductor cross-section	4x0.14...0.5 mm ²
Cable diameter	Ø3.5 - 5 mm
Connection method	Screw terminal
Degree of protection as per IEC 60529	IP 67
Ambient temperature T _a	-40...+85 °C

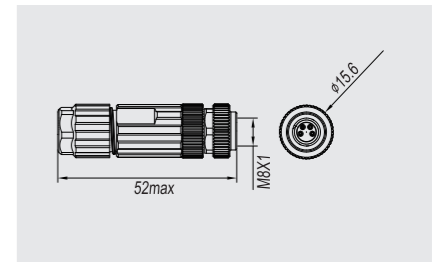
Plug connectors M8 straight or right angle female, male, 4-pin

M8 straight female

Wiring method: Push-in terminal



Plug front view	Part number	Order code
	FCC M334-0000-10-35X475	63F401

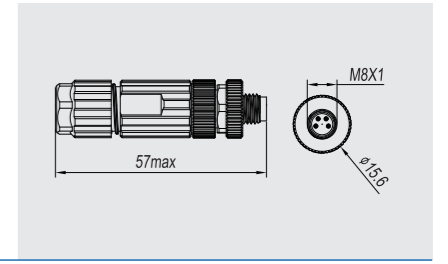


M8 straight male

Wiring method: Push-in terminal



Plug front view	Part number	Order code
	FCC M334-0000-20-35X475	63F441

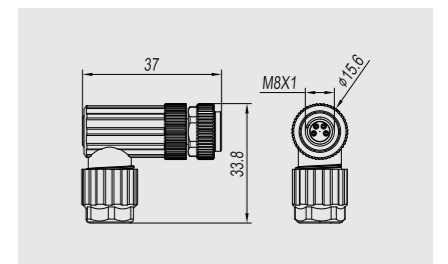


M8 right angle female

Wiring method: Push-in terminal



Plug front view	Part number	Order code
	FCC M344-0000-10-35X475	63F403

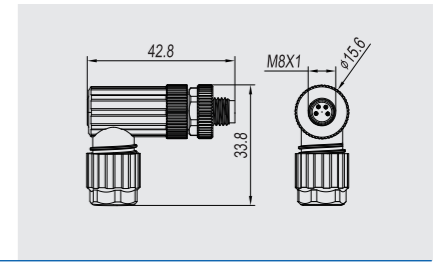


M8 right angle male

Wiring method: Push-in terminal



Plug front view	Part number	Order code
	FCC M344-0000-20-35X475	63F443


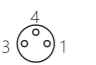
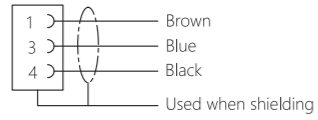


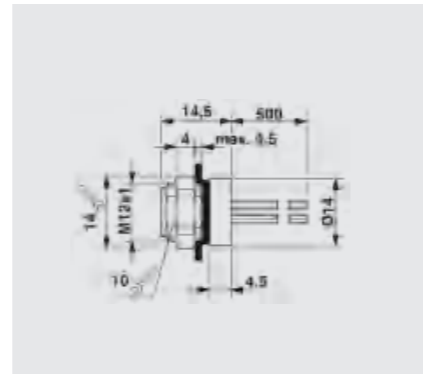
Technical parameter

4 Pin	
Max. supply voltage AC U _B	60V AC
Max. supply voltage DC U _B	60V DC
Cable	User-fabricated
Number of conductors x conductor cross-section	4x0.14...0.75 mm ² (Bare wire)
Cable diameter	Ø3.5 - 7 mm
Connection method	Push-in terminal
Degree of protection as per IEC 60529	IP 67
Ambient temperature T _a	-40...+85 °C



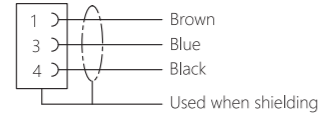
Plug connectors
M8 flange socket, 3-pin

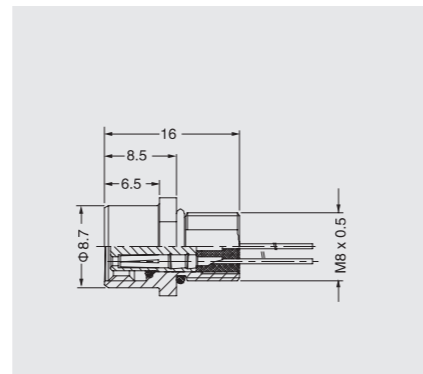
Rear mounting, M8 flange female

3-pin	Pin layout and wiring diagram	Part number-xxx	Order code
	 <p>FCC M3E3-0000-10-VGA325-xxx</p>  <p>1 Brown 3 Blue 4 Black Used when shielding</p>	63SA01 -xxx	



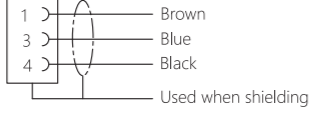


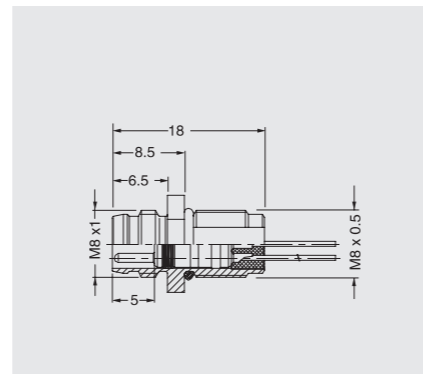
Front mounting, M8 flange female

3-pin	Pin layout and wiring diagram	Part number-xxx	Order code
	 <p>FCC M3E3-0001-10-VGB325-xxx</p>  <p>1 Brown 3 Blue 4 Black Used when shielding</p>	63SA02 -xxx	



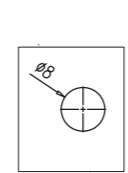
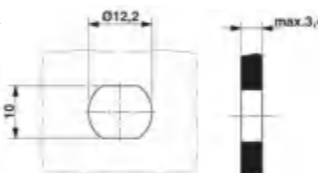
Front mounting, M8 flange male

3-pin	Pin layout and wiring diagram	Part number-xxx	Order code
	 <p>FCC M3E3-0000-20-VGA325-xxx</p>  <p>1 Brown 3 Blue 4 Black Used when shielding</p>	63SA21 -xxx	





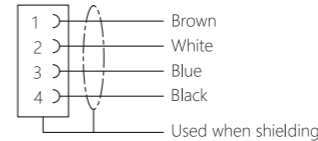
RoHS compliant Remarks: xxx=cable length, can be customized when ordering, the cable length is incremented by 0.5m, for example: 005=0.5m, 010=1m, 015=1.5m

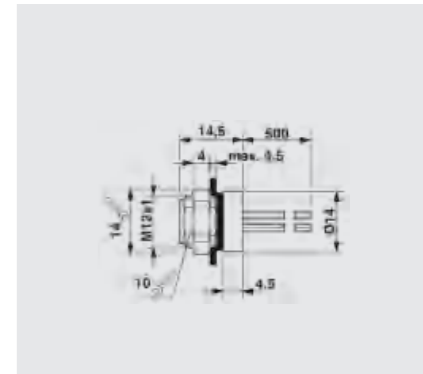
Technical parameter

	3 Pin	M8 plate front opening	M8 board rear opening
Max. supply voltage AC U _B	30V AC		
Max. supply voltage DC U _B	30V DC		
Number of conductors x conductor cross-section	3x0.25 mm ²		
Degree of protection as per IEC 60529	IP 67		
Ambient temperature T _a	-25...+80 °C		



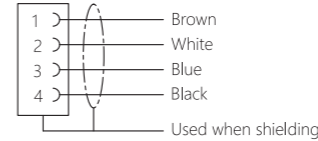
Plug connectors
M8 flange socket, 4-pin

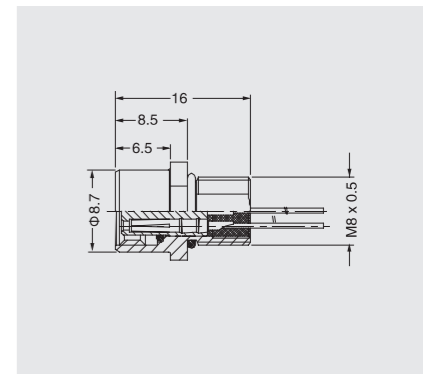
Rear mounting, M8 flange female

4-pin	Pin layout and wiring diagram	Part number-xxx	Order code
	 <p>FCC M3E3-0000-10-VGB425-xxx</p>  <p>1 Brown 2 White 3 Blue 4 Black Used when shielding</p>	63SA41 -xxx	



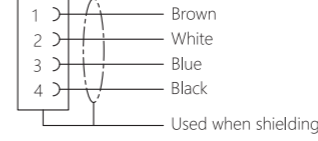


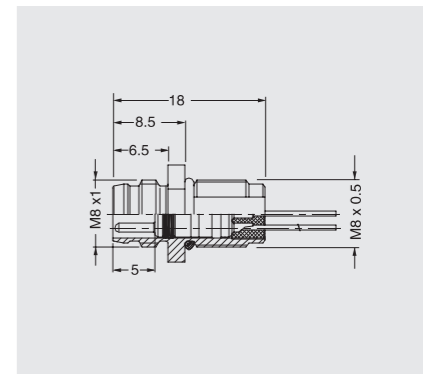
Front mounting, M8 flange female

4-pin	Pin layout and wiring diagram	Part number-xxx	Order code
	 <p>FCC M3E3-0001-10-VGB425-xxx</p>  <p>1 Brown 2 White 3 Blue 4 Black Used when shielding</p>	63SA42 -xxx	



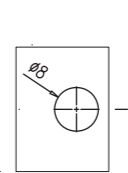
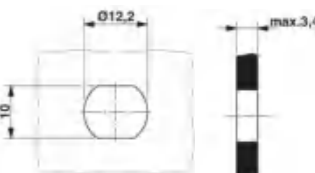
Front mounting, M8 flange male

4-pin	Pin layout and wiring diagram	Part number-xxx	Order code
	 <p>FCC M3E3-0000-20-VGB425-xxx</p>  <p>1 Brown 2 White 3 Blue 4 Black Used when shielding</p>	63SA61 -xxx	




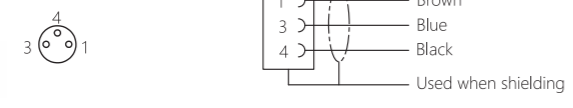
RoHS compliant Remarks: xxx=cable length, can be customized when ordering, the cable length is incremented by 0.5m, for example: 005=0.5m, 010=1m, 015=1.5m

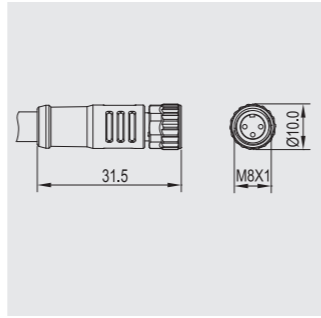
Technical parameter

	4 Pin	M8 plate front opening	M8 board rear opening
Max. supply voltage AC U _B	30V AC		
Max. supply voltage DC U _B	30V DC		
Number of conductors x conductor cross-section	4x0.25 mm ²		
Degree of protection as per IEC 60529	IP 67		
Ambient temperature T _a	-25...+80 °C		


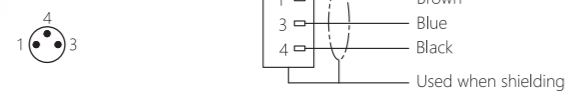
Plug connectors
M8 straight or right angle female, male, 3-pin, no LED

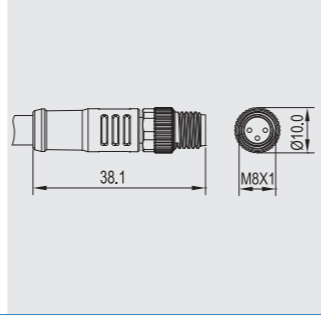
M8 straight female

3-pin	Cable material	Color	Part number-xxx	Order code
	PUR (Flexible cable)	Black	FCC M313-0000-10-001-PH0325-xxx	63S021 -xxx
	PVC (Fixed installation)	Grey	FCC M313-0000-10-001-VX8325-xxx	63S023 -xxx
Pin layout and wiring diagram				
				


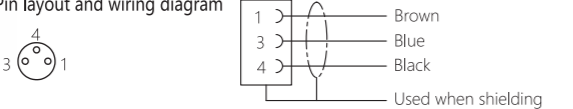


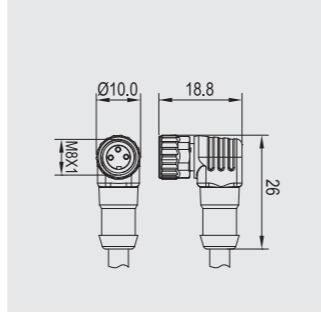
M8 straight male

3-pin	Cable material	Color	Part number-xxx	Order code
	PUR (Flexible cable)	Black	FCC M313-0000-20-001-PH0325-xxx	63S001 -xxx
	PVC (Fixed installation)	Grey	FCC M313-0000-20-001-VX8325-xxx	63S003 -xxx
Pin layout and wiring diagram				
				


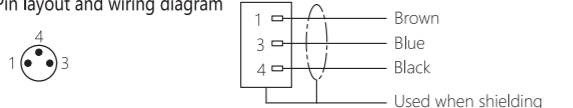


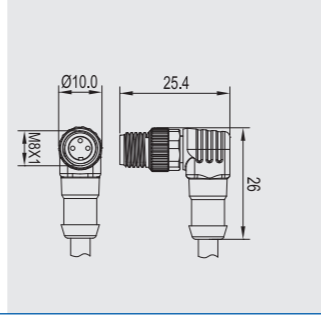
M8 right angle female

3-pin	Cable material	Color	Part number-xxx	Order code
	PUR (Flexible cable)	Black	FCC M323-0000-10-001-PH0325-xxx	63S061 -xxx
	PVC (Fixed installation)	Grey	FCC M323-0000-10-001-VX8325-xxx	63S063 -xxx
Pin layout and wiring diagram				
				



M8 right angle male

3-pin	Cable material	Color	Part number-xxx	Order code
	PUR (Flexible cable)	Black	FCC M323-0000-20-001-PH0325-xxx	63S201 -xxx
	PVC (Fixed installation)	Grey	FCC M323-0000-20-001-VX8325-xxx	63S203 -xxx
Pin layout and wiring diagram				
				




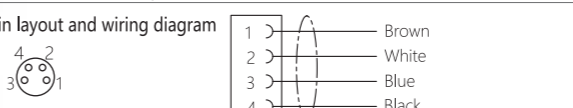
CE RoHS compliant Remarks: xxx=cable length, can be customized when ordering, the cable length is incremented by 0.5m, for example: 005=0.5m, 010=1m, 015=1.5m

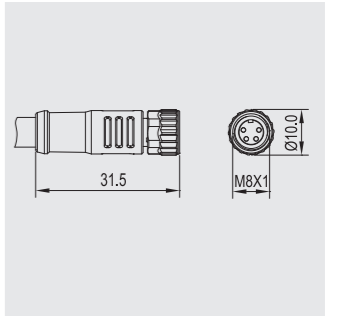
Technical parameter

3 Pin	
Max. supply voltage AC U _B	60V AC
Max. supply voltage DC U _B	60V DC
Cable	Casting
Number of conductors x conductor cross-section	3×0.25 mm ²
Degree of protection as per IEC 60529	IP 67
Ambient temperature T _a	-25...+80 °C


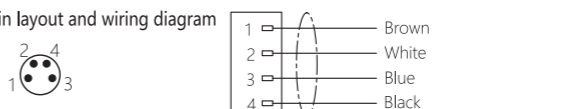
Plug connectors
M8 straight or right angle female, male, 4-pin, no LED

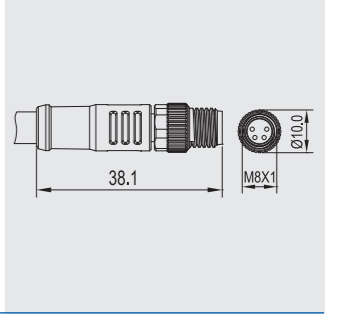
M8 straight female

4-pin	Cable material	Color	Part number-xxx	Order code
	PUR (Flexible cable)	Black	FCC M314-0000-10-006-PH0425-xxx	63S121 -xxx
	PVC (Fixed installation)	Grey	FCC M314-0000-10-006-VX8425-xxx	63S123 -xxx
	PUR (Shielded flexible cable)	Black	FCC M314-0000-10-006-PS0425-xxx	63S125 -xxx
Pin layout and wiring diagram				
				


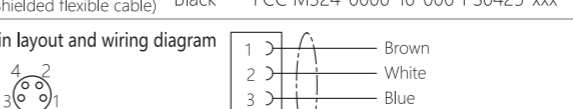


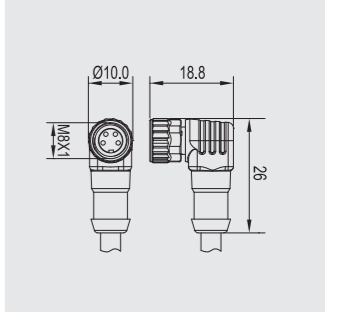
M8 straight male

4-pin	Cable material	Color	Part number-xxx	Order code
	PUR (Flexible cable)	Black	FCC M314-0000-20-006-PH0425-xxx	63S101 -xxx
	PVC (Fixed installation)	Grey	FCC M314-0000-20-006-VX8425-xxx	63S103 -xxx
	PUR (Shielded flexible cable)	Black	FCC M314-0000-20-006-PS0425-xxx	63S105 -xxx
Pin layout and wiring diagram				
				


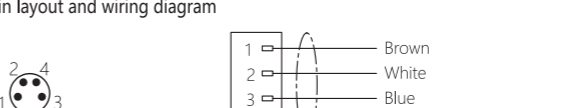


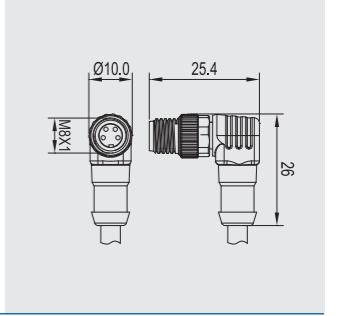
M8 right angle female

4-pin	Cable material	Color	Part number-xxx	Order code
	PUR (Flexible cable)	Black	FCC M324-0000-10-006-PH0425-xxx	63S141 -xxx
	PVC (Fixed installation)	Grey	FCC M324-0000-10-006-VX8425-xxx	63S143 -xxx
	PUR (Shielded flexible cable)	Black	FCC M324-0000-10-006-PS0425-xxx	63S145 -xxx
Pin layout and wiring diagram				
				



M8 right angle male

4-pin	Cable material	Color	Part number-xxx	Order code
	PUR (Flexible cable)	Black	FCC M324-0000-20-006-PH0425-xxx	63S221 -xxx
	PVC (Fixed installation)	Grey	FCC M324-0000-20-006-VX8425-xxx	63S223 -xxx
	Pin layout and wiring diagram			
				



CE RoHS compliant Remarks: xxx=cable length, can be customized when ordering, the cable length is incremented by 0.5m, for example: 005=0.5m, 010=1m, 015=1.5m


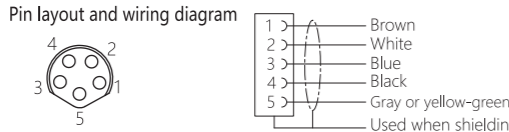
Technical parameter

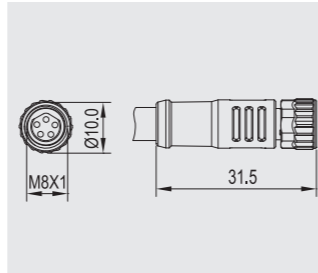
4 Pin	
Max. supply voltage AC U _B	30V AC
Max. supply voltage DC U _B	30V DC
Cable	Casting
Number of conductors x conductor cross-section	4×0.25 mm ²
Degree of protection as per IEC 60529	IP 67
Ambient temperature T _a	-25...+80 °C

Plug connectors


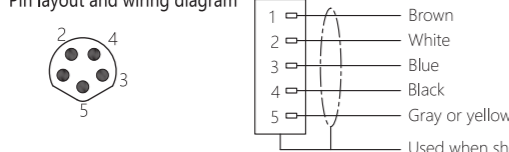
M8 straight female, male, 5-pin, 8-pin, no LED

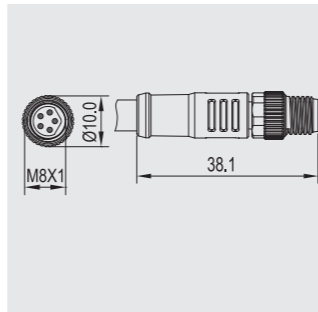
M8 straight female

5-pin	Cable material	Color	Part number-xxx	Order code
	PUR shield (Flexible cable)	Black	FCC M315-0000-10-001-PS0514-xxx	63S705-xxx
	PVC shield (Fixed installation)	Grey	FCC M315-0000-10-001-VS8514-xxx	63S707-xxx
Pin layout and wiring diagram 				


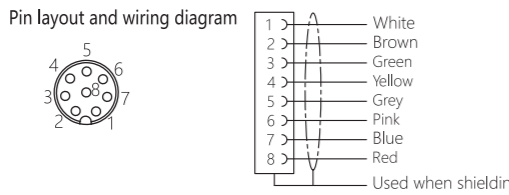


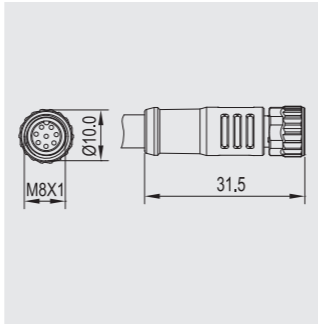
M8 straight male

5-pin	Cable material	Color	Part number-xxx	Order code
	PUR (Flexible cable)	Black	FCC M315-0000-20-001-PS0514-xxx	63S725-xxx
	PVC (Fixed installation)	Grey	FCC M315-0000-20-001-VS8514-xxx	63S727-xxx
Pin layout and wiring diagram 				


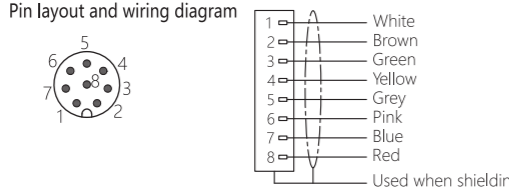


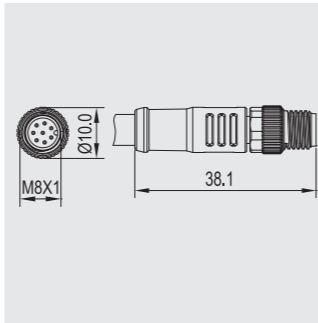
M8 straight female

8-pin	Cable material	Color	Part number-xxx	Order code
	PUR (Flexible cable)	Black	FCC M318-0000-10-001-PH0814-xxx	63S741-xxx
	PVC (Fixed installation)	Grey	FCC M318-0000-10-001-VX8814-xxx	63S743-xxx
Pin layout and wiring diagram 				



M8 straight male

8-pin	Cable material	Color	Part number-xxx	Order code
	PUR (Flexible cable)	Black	FCC M318-0000-20-001-PH0814-xxx	63S761-xxx
	PVC (Fixed installation)	Grey	FCC M318-0000-20-001-VX8814-xxx	63S763-xxx
Pin layout and wiring diagram 				



Remarks: xxx=cable length, can be customized when ordering, the cable length is incremented by 0.5m, for example: 005=0.5m, 010=1m, 015=1.5m


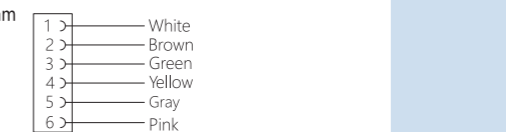
Technical parameter

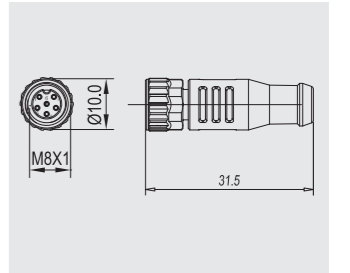
	5 Pin	8 Pin
Max. supply voltage DC U _B	30V DC	30V DC
Cable	Casting	Casting
Number of conductors x conductor cross-section	5x0.14 mm ²	8x0.14 mm ²
Degree of protection as per IEC 60529	IP 67	IP 67
Ambient temperature T _a	-25...+80 °C	-25...+80 °C

Plug connectors



M8 straight male/female ↔ M8 straight male/female, 5-pin, 8-pin, no LED

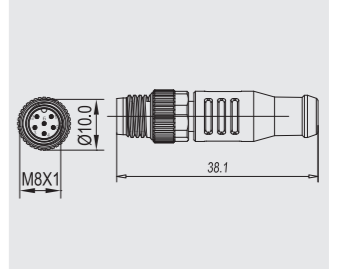
M8 straight female, 6-pin

6-pin	Cable material	Color	Part number-xxx	Order code
	PUR shield (Flexible cable)	Black	FCC M316-0000-10-001-PH0620-xxx	63S671-xxx
	PVC shield (Fixed installation)	Grey	FCC M316-0000-10-001-VX8620-xxx	63S673-xxx
Pin layout and wiring diagram 				


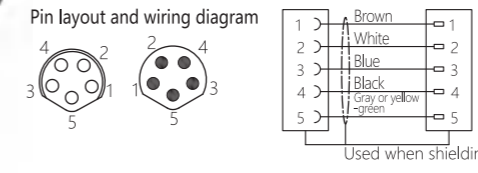


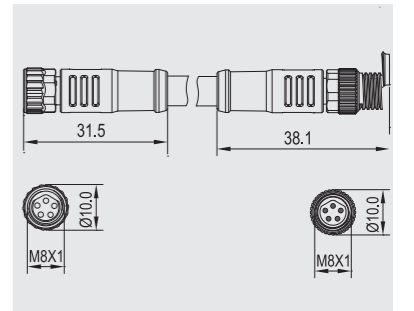
M8 straight male, 6-pin

6-pin	Cable material	Color	Part number-xxx	Order code
	PUR shield (Flexible cable)	Black	FCC M316-0000-20-001-PH0620-xxx	63S661-xxx
	PVC shield (Fixed installation)	Grey	FCC M316-0000-20-001-VX8620-xxx	63S663-xxx
Pin layout and wiring diagram 				


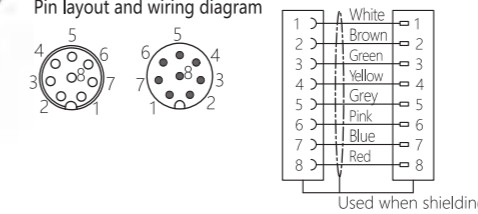


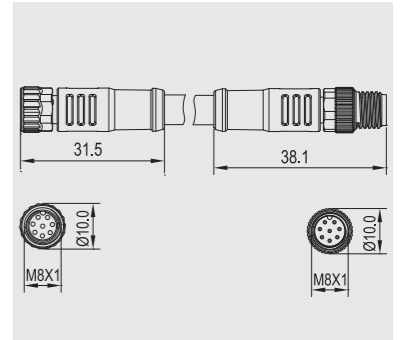
M8 straight female ↔ M8 straight male, 5-pin

5-pin	Cable material	Color	Part number-xxx	Order code
	PUR shield (Flexible cable)	Black	FCC M315-M315-30-006-PS0514-xxx	63DB55-xxx
	PVC shield (Fixed installation)	Grey	FCC M315-M315-30-006-VS8514-xxx	63DB57-xxx
Pin layout and wiring diagram 				



M8 straight female ↔ M8 straight male, 8-pin

8-pin	Cable material	Color	Part number-xxx	Order code
	PUR shield (Flexible cable)	Black	FCC M318-M318-30-006-PH0814-xxx	63DA81-xxx
	PVC shield (Fixed installation)	Grey	FCC M318-M318-30-006-VX8814-xxx	63DA83-xxx
Pin layout and wiring diagram 				



Remarks: xxx=cable length, can be customized when ordering, the cable length is incremented by 0.5m, for example: 005=0.5m, 010=1m, 015=1.5m


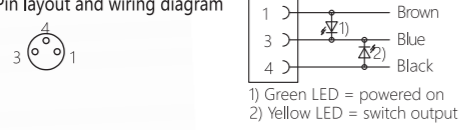
Technical parameter

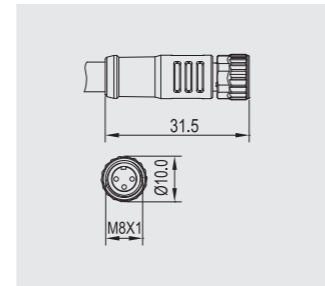
	5 Pin	8 Pin
Max. supply voltage DC U _B	30V DC	30V DC
Cable	Casting	Casting
Number of conductors x conductor cross-section	5x0.14 mm ²	8x0.14 mm ²
Degree of protection as per IEC 60529	IP 67	IP 67
Ambient temperature T _a	-25...+80 °C	-25...+80 °C

Plug connectors


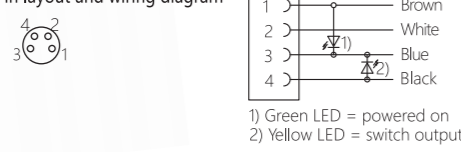
M8 straight, M8 right angle male, 3-pin, 4-pin, with LED

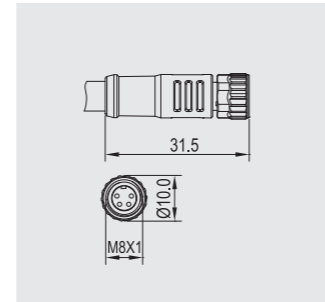
M8 straight female, with LED

3-pin	Cable material	Color	Part number-xxx	Order code
	PUR (Flexible cable)	Black	FCC M313-0000-10-004-PH0325-xxx	63S041 -xxx
	PVC (Fixed installation)	Grey	FCC M313-0000-10-004-VX8325-xxx	63S043 -xxx
Pin layout and wiring diagram  <p>1) Green LED = powered on 2) Yellow LED = switch output</p>				


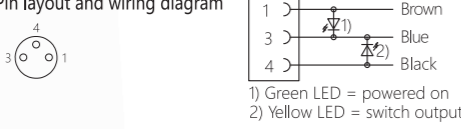


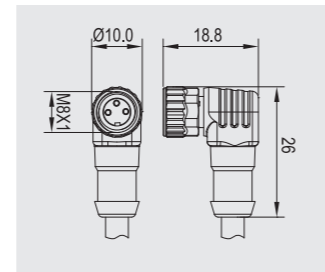
M8 straight female, with LED

4-pin	Cable material	Color	Part number-xxx	Order code
	PUR (Flexible cable)	Black	FCC M314-0000-10-008-PH0425-xxx	63S601 -xxx
	PVC (Fixed installation)	Grey	FCC M314-0000-10-008-VX8425-xxx	63S603 -xxx
Pin layout and wiring diagram  <p>1) Green LED = powered on 2) Yellow LED = switch output</p>				


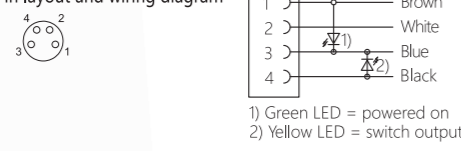


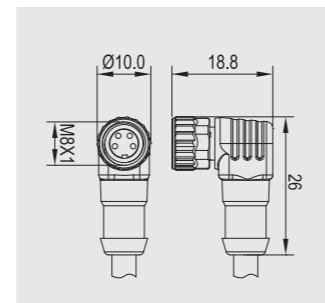
M8 right angle female, with LED

4-pin	Cable material	Color	Part number-xxx	Order code
	PUR (Flexible cable)	Black	FCC M323-0000-10-004-PH0325-xxx	63S081 -xxx
	PVC (Fixed installation)	Grey	FCC M323-0000-10-004-VX8325-xxx	63S083 -xxx
Pin layout and wiring diagram  <p>1) Green LED = powered on 2) Yellow LED = switch output</p>				



M8 right angle female, with LED

4-pin	Cable material	Color	Part number-xxx	Order code
	PUR (Flexible cable)	Black	FCC M324-0000-10-008-PH0425-xxx	63S161 -xxx
	PVC (Fixed installation)	Grey	FCC M324-0000-10-008-VX8425-xxx	63S163 -xxx
Pin layout and wiring diagram  <p>1) Green LED = powered on 2) Yellow LED = switch output</p>				



RoHS compliant Remarks: xxx=cable length, can be customized when ordering, the cable length is incremented by 0.5m, for example: 005=0.5m, 010=1m, 015=1.5m


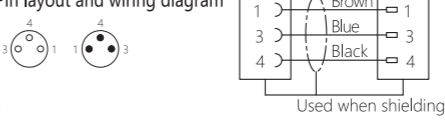
Technical parameter

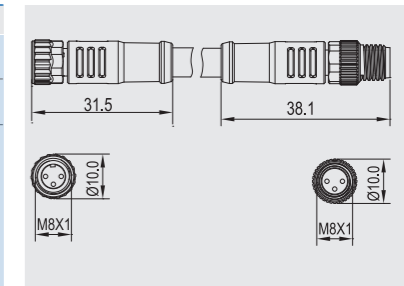
	3 Pin	4 Pin
Max. supply voltage DC U _B	30V DC	30V DC
Cable	Casting	Casting
Number of conductors x conductor cross-section	3x0.25 mm ²	4x0.25 mm ²
Degree of protection as per IEC 60529	IP 67	IP 67
Ambient temperature T _a	-25...+80 °C	-25...+80 °C

Plug connectors


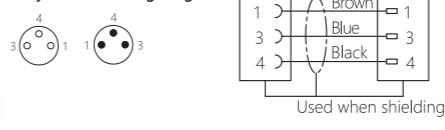
M8 straight female ↔ M8 straight male, 3-pin, 4-pin, no LED

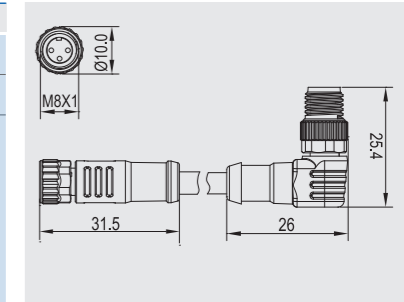
M8 straight female ↔ M8 straight male

3-pin	Cable material	Color	Part number-xxx	Order code
	PUR (Flexible cable)	Black	FCC M313-M313-30-001-PH0325-xxx	63D001 -xxx
	PVC (Fixed installation)	Grey	FCC M313-M313-30-001-VX8325-xxx	63D003 -xxx
Pin layout and wiring diagram  <p>Used when shielding</p>				


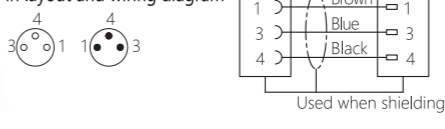


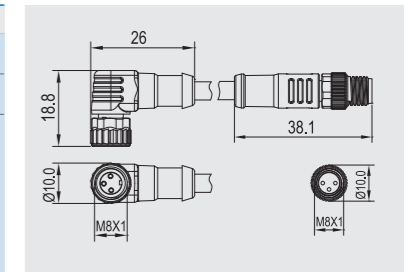
M8 straight female ↔ M8 right angle male

3-pin	Cable material	Color	Part number-xxx	Order code
	PUR (Flexible cable)	Black	FCC M313-M323-30-001-PH0325-xxx	63D041 -xxx
	PVC (Fixed installation)	Grey	FCC M313-M323-30-001-VX8325-xxx	63D043 -xxx
Pin layout and wiring diagram  <p>Used when shielding</p>				


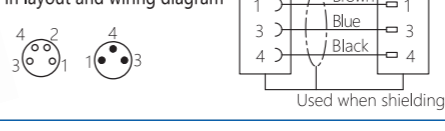


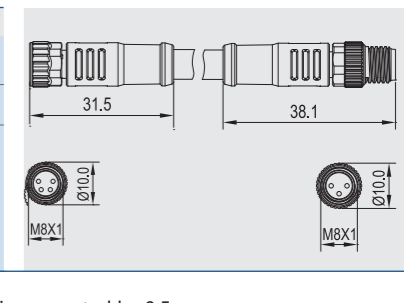
M8 right angle female ↔ M8 straight male

3-pin	Cable material	Color	Part number-xxx	Order code
	PUR (Flexible cable)	Black	FCC M323-M313-30-001-PH0325-xxx	63D061 -xxx
	PVC (Fixed installation)	Grey	FCC M323-M313-30-001-VX8325-xxx	63D063 -xxx
Pin layout and wiring diagram  <p>Used when shielding</p>				



M8 straight female ↔ M8 straight male

3-pin	Cable material	Color	Part number-xxx	Order code
	PUR (Flexible cable)	Black	FCC M314-M313-30-001-PH0325-xxx	63D101 -xxx
	PVC (Fixed installation)	Grey	FCC M314-M313-30-001-VX8325-xxx	63D103 -xxx
Pin layout and wiring diagram  <p>Used when shielding</p>				



RoHS compliant Remarks: xxx=cable length, can be customized when ordering, the cable length is incremented by 0.5m, for example: 005=0.5m, 010=1m, 015=1.5m

Technical parameter

Max. supply voltage AC U _B	60V AC
Max. supply voltage DC U _B	60V DC
Cable	Casting
Number of conductors x conductor cross-section	3x0.25 mm ²
Degree of protection as per IEC 60529	IP 67
Ambient temperature T _a	-25...+80 °C

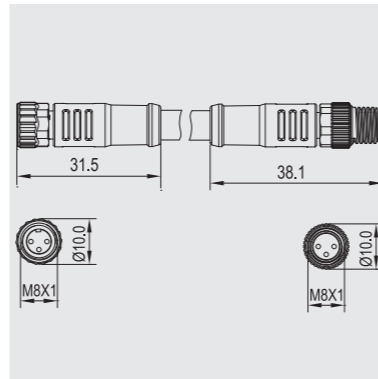
Plug connectors

M8 straight or right angle female ↔ M8 straight or right angle male, 4-pin, no LED

M8 ↔ M8

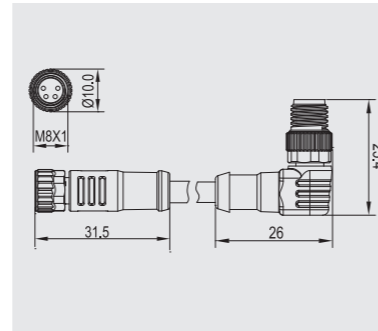
M8 straight female ↔ M8 straight male

4-pin	Cable material	Color	Part number-xxx	Order code
	PUR (Flexible cable)	Black	FCC M314-M314-30-006-PH0425-xxx	63D121 -xxx
	PVC (Fixed installation)	Grey	FCC M314-M314-30-006-VX8425-xxx	63D123 -xxx
	PUR (Shielded flexible cable)	Black	FCC M314-M314-30-006-PS0425-xxx	63D125 -xxx
Pin layout and wiring diagram <p>Used when shielding</p>				



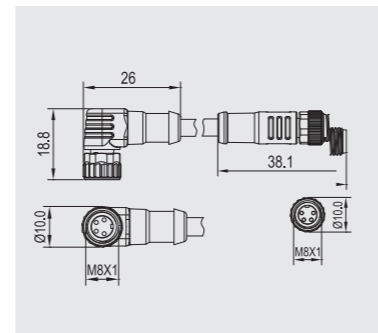
M8 straight female ↔ M8 right angle male

4-pin	Cable material	Color	Part number-xxx	Order code
	PUR (Flexible cable)	Black	FCC M314-M324-30-006-PH0425-xxx	63D141 -xxx
	PVC (Fixed installation)	Grey	FCC M314-M324-30-006-VX8425-xxx	63D143 -xxx
	PUR (Shielded flexible cable)	Black	FCC M314-M324-30-006-PS0425-xxx	63D145 -xxx
Pin layout and wiring diagram <p>Used when shielding</p>				



M8 right angle female ↔ M8 straight male

4-pin	Cable material	Color	Part number-xxx	Order code
	PUR (Flexible cable)	Black	FCC M324-M314-30-006-PH0425-xxx	63D161 -xxx
	PVC (Fixed installation)	Grey	FCC M324-M314-30-006-VX8425-xxx	63D163 -xxx
	PUR (Shielded flexible cable)	Black	FCC M324-M314-30-006-PS0425-xxx	63D165 -xxx
Pin layout and wiring diagram <p>Used when shielding</p>				



Remarks: xxx=cable length, can be customized when ordering, the cable length is incremented by 0.5m, for example: 005=0.5m, 010=1m, 015=1.5m

Technical parameter

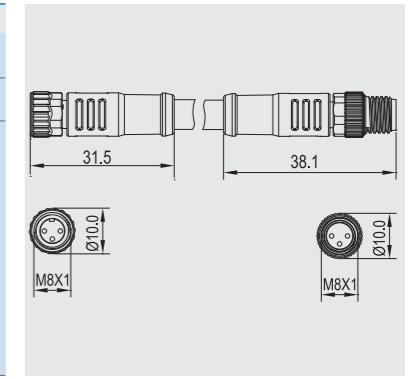
Max. supply voltage AC U _B	30V AC
Max. supply voltage DC U _B	30V DC
Cable	Casting
Number of conductors x conductor cross-section	4x0.25 mm ²
Degree of protection as per IEC 60529	IP 67
Ambient temperature T _a	-25...+80 °C

Plug connectors

M8 straight or right angle female ↔ M8 straight male, with LED

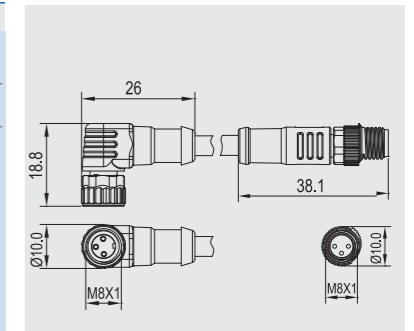
M8 straight female ↔ M8 straight male, with LED

3-pin	Cable material	Color	Part number-xxx	Order code
	PUR (Flexible cable)	Black	FCC M313-M313-30-004-PH0325-xxx	63D021 -xxx
	PVC (Fixed installation)	Grey	FCC M313-M313-30-004-VX8325-xxx	63D023 -xxx
	Pin layout and wiring diagram <p>1) Green LED = powered on 2) Yellow LED = switch output</p>			



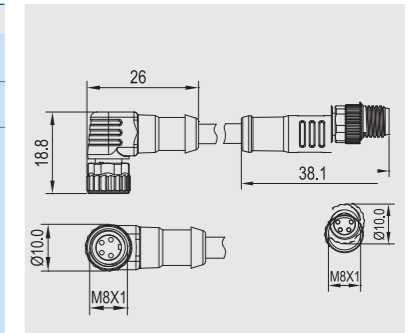
M8 right angle female ↔ M8 straight male, with LED

3-pin	Cable material	Color	Part number-xxx	Order code
	PUR (Flexible cable)	Black	FCC M323-M313-30-004-PH0325-xxx	63D081 -xxx
	PVC (Fixed installation)	Grey	FCC M323-M313-30-004-VX8325-xxx	63D083 -xxx
	Pin layout and wiring diagram <p>1) Green LED = powered on 2) Yellow LED = switch output</p>			



M8 right angle female ↔ M8 straight male, with LED

4-pin	Cable material	Color	Part number-xxx	Order code
	PUR (Flexible cable)	Black	FCC M324-M314-30-008-PH0425-xxx	63D181 -xxx
	PVC (Fixed installation)	Grey	FCC M324-M314-30-008-VX8425-xxx	63D183 -xxx
	Pin layout and wiring diagram <p>1) Green LED = powered on 2) Yellow LED = switch output</p>			



Remarks: xxx=cable length, can be customized when ordering, the cable length is incremented by 0.5m, for example: 005=0.5m, 010=1m, 015=1.5m

Technical parameter

	3 Pin	4 Pin
Max. supply voltage AC U _B	/	/
Max. supply voltage DC U _B	30V DC	30V DC
Cable	Casting	Casting
Number of conductors x conductor cross-section	3x0.25 mm ²	4x0.25 mm ²
Degree of protection as per IEC 60529	IP 67	IP 67
Ambient temperature T _a	-25...+80 °C	-25...+80 °C

02

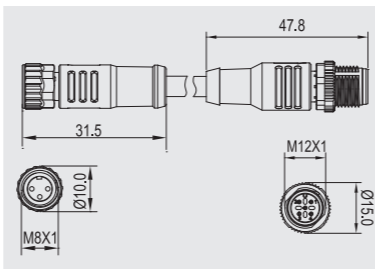
Plug connectors and valve plugs

Plug connectors

M8 straight or right angle female ↔ M12 straight male, 3-pin, 4-pin, no LED

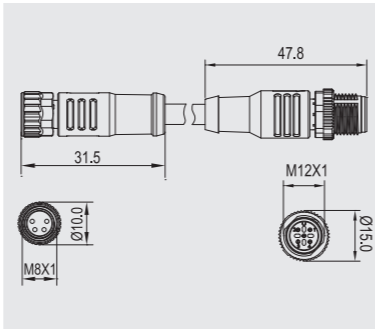
M8 straight female ↔ M12 straight male

3-pin	Cable material	Color	Part number-xxx	Order code
	PUR (Flexible cable)	Black	FCC M313-M413-30-001-PH0325-xxx	63D201 -xxx
	PVC (Fixed installation)	Grey	FCC M313-M413-30-001-VX8325-xxx	63D203 -xxx
Pin layout and wiring diagram				



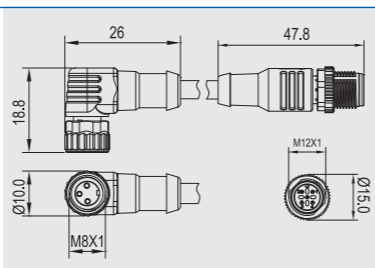
M8 straight female ↔ M12 straight male

4-pin	Cable material	Color	Part number-xxx	Order code
	PUR (Flexible cable)	Black	FCC M314-M414-30-006-PH0425-xxx	63D261 -xxx
	PVC (Fixed installation)	Grey	FCC M314-M414-30-006-VX8425-xxx	63D263 -xxx
Pin layout and wiring diagram				



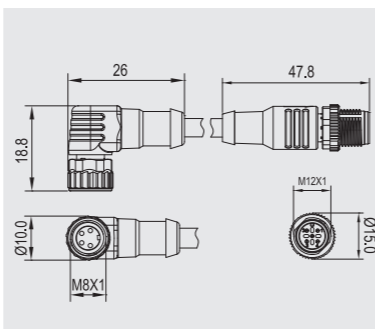
M8 right angle female ↔ M12 straight male

3-pin	Cable material	Color	Part number-xxx	Order code
	PUR (Flexible cable)	Black	FCC M323-M413-30-001-PH0325-xxx	63D221 -xxx
	PVC (Fixed installation)	Grey	FCC M323-M413-30-001-VX8325-xxx	63D223 -xxx
Pin layout and wiring diagram				



M8 right angle female ↔ M12 straight male

4-pin	Cable material	Color	Part number-xxx	Order code
	PUR (Flexible cable)	Black	FCC M324-M414-30-006-PH0425-xxx	63D281 -xxx
	PVC (Fixed installation)	Grey	FCC M324-M414-30-006-VX8425-xxx	63D283 -xxx
Pin layout and wiring diagram				



RoHS compliant Remarks: xxx=cable length, can be customized when ordering, the cable length is incremented by 0.5m, for example: 005=0.5m, 010=1m, 015=1.5m

Technical parameter

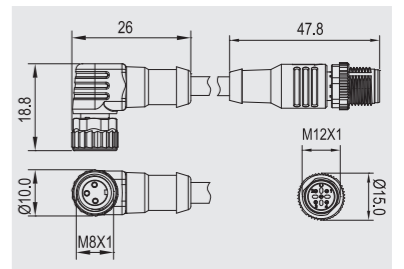
	3 Pin	4 Pin
Max. supply voltage AC U _B	60V AC	30V AC
Max. supply voltage DC U _B	60V DC	30V DC
Cable	Casting	Casting
Number of conductors x conductor cross-section	3×0.25 mm ²	4×0.25 mm ²
Degree of protection as per IEC 60529	IP 67	IP 67
Ambient temperature T _a	-25...+80 °C	-25...+80 °C

Plug connectors

M8 right angle female ↔ M12 straight male, with LED

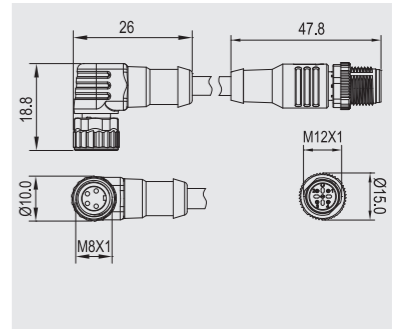
M8 right angle female ↔ M12 straight male

3-pin	Cable material	Color	Part number-xxx	Order code
	PUR (Flexible cable)	Black	FCC M323-M413-30-004-PH0325-xxx	63D241 -xxx
	PVC (Fixed installation)	Grey	FCC M323-M413-30-004-VX8325-xxx	63D243 -xxx
Pin layout and wiring diagram				



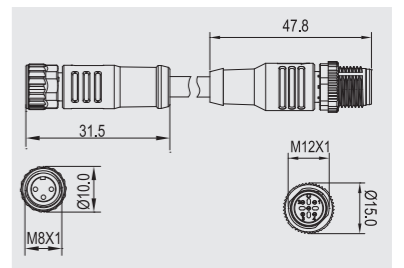
M8 right angle female ↔ M12 straight male

4-pin	Cable material	Color	Part number-xxx	Order code
	PUR (Flexible cable)	Black	FCC M324-M414-30-008-PH0425-xxx	63D301 -xxx
	PVC (Fixed installation)	Grey	FCC M324-M414-30-008-VX8425-xxx	63D303 -xxx
Pin layout and wiring diagram				



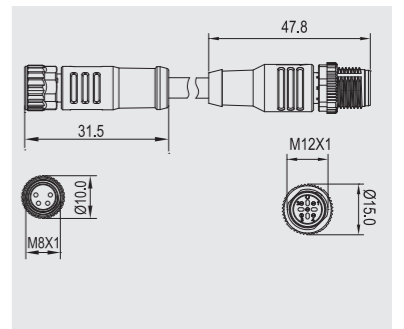
M8 straight female ↔ M12 straight male

3-pin	Cable material	Color	Part number-xxx	Order code
	PUR (Flexible cable)	Black	FCC M313-M413-30-004-PH0325-xxx	63D251 -xxx
	PVC (Fixed installation)	Grey	FCC M313-M413-30-004-VX8325-xxx	63D253 -xxx
Pin layout and wiring diagram				



M8 straight female ↔ M12 straight male

4-pin	Cable material	Color	Part number-xxx	Order code
	PUR (Flexible cable)	Black	FCC M314-M414-30-008-PH0425-xxx	63D311 -xxx
	PVC (Fixed installation)	Grey	FCC M314-M414-30-008-VX8425-xxx	63D313 -xxx
Pin layout and wiring diagram				



RoHS compliant Remarks: xxx=cable length, can be customized when ordering, the cable length is incremented by 0.5m, for example: 005=0.5m, 010=1m, 015=1.5m

Technical parameter

	3 Pin	4 Pin
Max. supply voltage AC U _B	/	/
Max. supply voltage DC U _B	30V DC	30V DC
Cable	Casting	Casting
Number of conductors x conductor cross-section	3×0.25 mm ²	4×0.25 mm ²
Degree of protection as per IEC 60529	IP 67	IP 67
Ambient temperature T _a	-25...+80 °C	-25...+80 °C

02 Plug connectors and valve plugs

Plug connectors

M8 straight Y plug ↔ M8 straight female, 3-pin

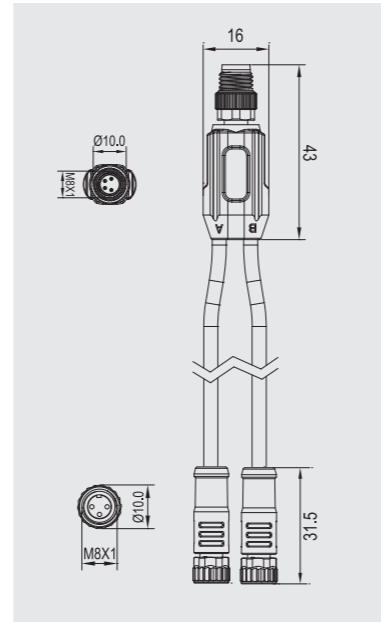
M8 ↔ M8

Plug connectors

M8 Y plug

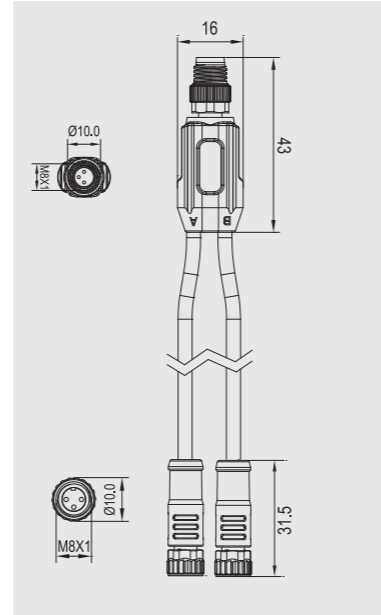
M8 straight Y plug ↔ M8 straight female

3-pin	Cable material	Color	Part number-xxx	Order code
	PUR (Flexible cable)	Black	FCC M314-M313-M313-Y22-PH0325-xxx	63D321 -xxx
	PVC (Fixed installation)	Grey	FCC M314-M313-M313-Y22-VX8325-xxx	63D323 -xxx
Pin layout and wiring diagram				
<p>A. Female M8 B. Female</p> <p>M8 Male</p>				

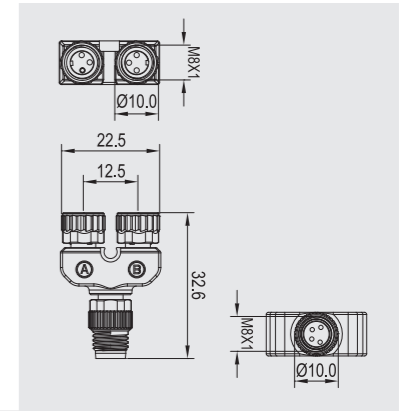


M8 straight Y plug ↔ M8 straight female

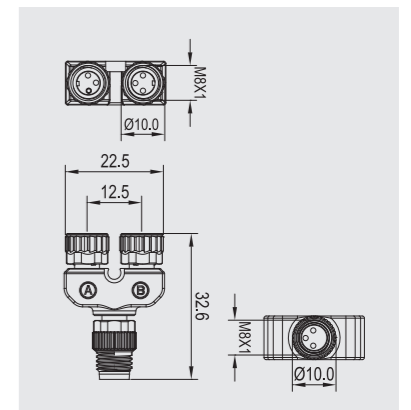
3-pin	Cable material	Color	Part number-xxx	Order code
	PUR (Flexible cable)	Black	FCC M313-M313-M313-Y33-PH0325-xxx	63D341 -xxx
	PVC (Fixed installation)	Grey	FCC M313-M313-M313-Y33-VX8325-xxx	63D343 -xxx
Pin layout and wiring diagram				
<p>A. Female M8 B. Female</p> <p>M8 Male</p>				



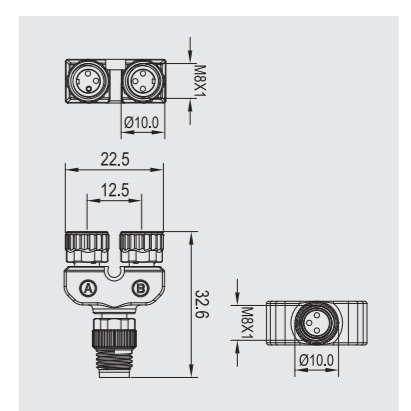
Order code	633301
Part number	FCC M314-M313-M313-Y22
Rated working voltage U _B	60V
Rated operating current I _e	4A
Degree of protection as per IEC 60529	IP 67
Ambient temperature T _a	-25...+85°C
Pin layout and wiring diagram	
<p>A. Female M8 B. Female</p> <p>M8 Male</p>	



Order code	633321
Part number	FCC M313-M313-M313-Y33
Rated working voltage U _B	30V
Rated operating current I _e	2A
Degree of protection as per IEC 60529	IP 67
Ambient temperature T _a	-25...+85°C
Pin layout and wiring diagram	
<p>A. Female M8 B. Female</p> <p>M8 Male</p>	



Order code	633341
Part number	FCC M313-M313-M313-Y14
Rated working voltage U _B	30V
Rated operating current I _e	2A
Degree of protection as per IEC 60529	IP 67
Ambient temperature T _a	-25...+85°C
Pin layout and wiring diagram	
<p>A. Female M8 B. Female</p> <p>M8 Male</p>	



CE RoHS compliant Remarks: xxx=cable length, can be customized when ordering, the cable length is incremented by 0.5m, for example: 005=0.5m, 010=1m, 015=1.5m

Technical parameter

3 Pin	
Max. supply voltage AC U _B	30V AC
Max. supply voltage DC U _B	30V DC
Cable	Casting
Number of conductors x conductor cross-section	3x0.25 mm ²
Degree of protection as per IEC 60529	IP 67
Ambient temperature T _a	-25...+80°C

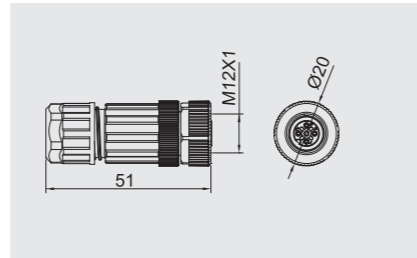
Plug connector M12 straight or right angle female, male, 4-pin

M12 straight female

Wiring method: screw terminal

Cable diameter	Part number	Order code
Ø4-6 mm, no LED, normally open and normally closed	FCC M435-0000-1A-41X475	64F001
Ø6-8 mm, no LED, normally open and normally closed	FCC M435-0000-1A-51X475	64F021

Pin placement

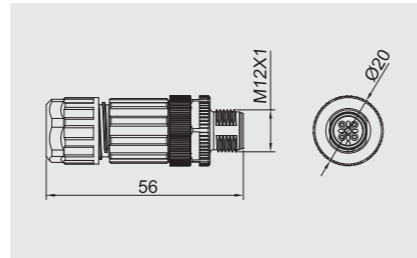


M12 straight male

Wiring method: screw terminal

Cable diameter	Part number	Order code
Ø4-6 mm, no LED, normally open and normally closed	FCC M434-0000-2A-41X475	64F101
Ø6-8 mm, no LED, normally open and normally closed	FCC M434-0000-2A-51X475	64F121

Pin placement

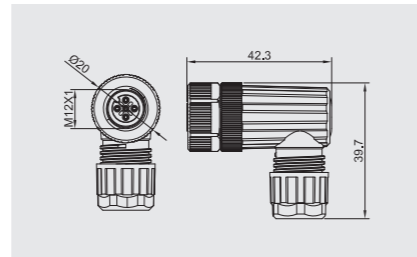


M12 right angle female

Wiring method: screw terminal

Cable diameter	Part number	Order code
Ø4-6 mm, no LED, normally open and normally closed	FCC M445-0000-1A-41X475	64F061
Ø6-8 mm, no LED, normally open and normally closed	FCC M445-0000-1A-51X475	64F081

Pin placement

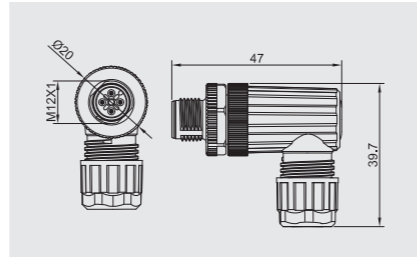


M12 right angle male

Wiring method: screw terminal

Cable diameter	Part number	Order code
Ø4-6 mm, no LED, normally open and normally closed	FCC M444-0000-2A-41X475	64F161
Ø6-8 mm, no LED, normally open and normally closed	FCC M444-0000-2A-51X475	64F181

Pin placement



Technical parameter

4 Pin	
Max. supply voltage AC U _B	250V
Max. supply voltage DC U _B	250V
Cable	User-fabricated
Number of conductors x conductor cross-section	4x0.14...0.75 mm ²
Cable diameter	/
Connection method	Screw terminal
Degree of protection as per IEC 60529	IP 67
Ambient temperature T _a	-40...+85 °C

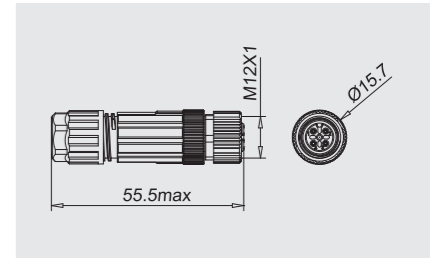
Plug connector M12 straight or right angle female, male, 4-pin

M12 straight female

Wiring method: Push-in terminal

Cable diameter	Part number	Order code
Ø4-6 mm, no LED, normally open and normally closed	FCC M435-0000-1A-45X475	64F941

Pin placement

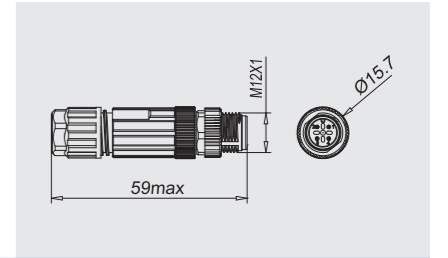


M12 straight male

Wiring method: Push-in terminal

Cable diameter	Part number	Order code
Ø4-6 mm, no LED, normally open and normally closed	FCC M434-0000-2A-45X475	64F841

Pin placement

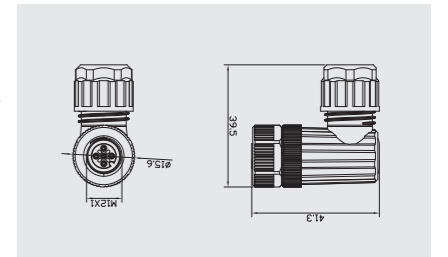


M12 right angle female

Wiring method: Push-in terminal

Cable diameter	Part number	Order code
Ø3.5-7 mm, no LED, normally open and normally closed	FCC M445-0000-1A-45X475	64F943

Pin placement

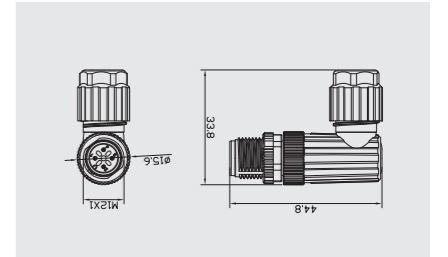


M12 right angle male

Wiring method: Push-in terminal

Cable diameter	Part number	Order code
Ø3.5-7 mm, no LED, normally open and normally closed	FCC M444-0000-2A-45X475	64F843

Pin placement



Technical parameter

4 Pin	
Max. supply voltage AC U _B	250V
Max. supply voltage DC U _B	250V
Cable	User-fabricated
Number of conductors x conductor cross-section	4x0.14...0.75 mm ²
Cable diameter	/
Connection method	Push-in terminal
Degree of protection as per IEC 60529	IP 67
Ambient temperature T _a	-40...+85 °C

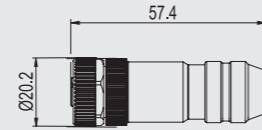
Plug connector M12 straight or right angle female, male, 4-pin

M12 straight female

Wiring method: screw terminal

Cable diameter	Part number	Order code
Ø6 - 8 mm	FCC M474-0000-1A-51X475	64F441

Pin placement

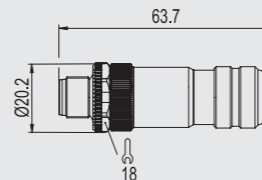


M12 straight male

Wiring method: screw terminal

Cable diameter	Part number	Order code
Ø6 - 8 mm	FCC M474-0000-2A-51X475	64F461

Pin placement

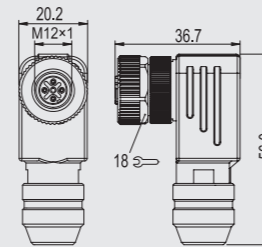


M12 right angle female

Wiring method: screw terminal

Cable diameter	Part number	Order code
Ø6 - 8 mm	FCC M484-0000-1A-51X475	64F481

Pin placement

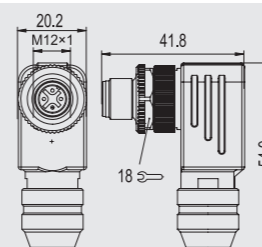


M12 right angle male

Wiring method: screw terminal

Cable diameter	Part number	Order code
Ø6 - 8 mm	FCC M484-0000-2A-51X475	64F501

Pin placement



Technical parameter

4 Pin	
Max. supply voltage AC U _B	125V
Max. supply voltage DC U _B	125V
Cable	User-fabricated
Number of conductors x conductor cross-section	4x0.75 mm ²
Cable diameter	Ø6 - 8 mm
Connection method	Screw terminal
Degree of protection as per IEC 60529	IP 67
Ambient temperature T _a	-40...+85 °C

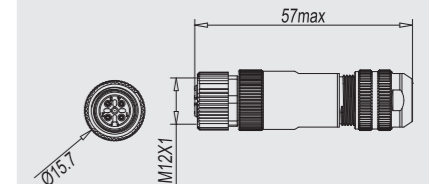
Plug connector M12 straight or right angle female, male, 4-pin

M12 straight female

Wiring method: Push-in terminal

Cable diameter	Part number	Order code
Ø3.5 - 7 mm	FCC M474-0000-1A-55X475	64F761

Pin placement

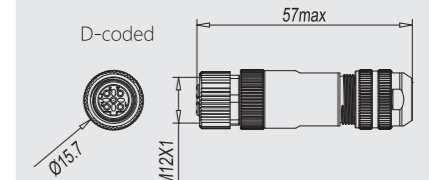


M12 straight female

Wiring method: Push-in terminal

Cable diameter	Part number	Order code
Ø3.5 - 7 mm	FCC M474-0000-1D-55X475	OCF421

Pin placement

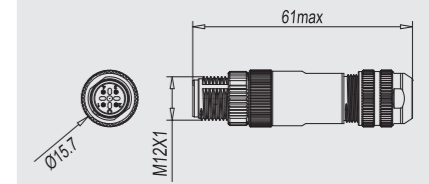


M12 straight male

Wiring method: Push-in terminal

Cable diameter	Part number	Order code
Ø3.5 - 7 mm	FCC M474-0000-2A-55X475	64F741

Pin placement

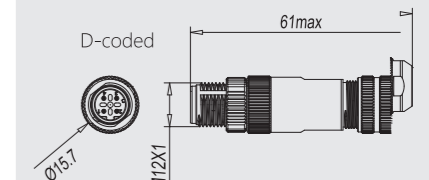


M12 straight male

Wiring method: Push-in terminal

Cable diameter	Part number	Order code
Ø3.5 - 7 mm	FCC M474-0000-2D-55X475	OCF381

Pin placement


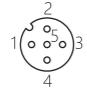


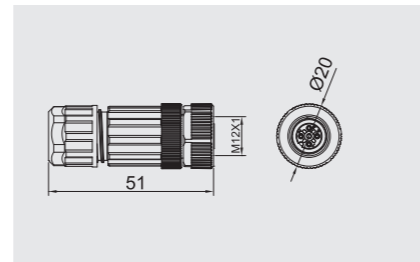
Technical parameter

4 Pin	
Max. supply voltage AC U _B	125V
Max. supply voltage DC U _B	125V
Cable	User-fabricated
Number of conductors x conductor cross-section	4x0.75 mm ²
Cable diameter	Ø3.5 - 7 mm
Connection method	Push-in terminal
Degree of protection as per IEC 60529	IP 67
Ambient temperature T _a	-40...+85 °C


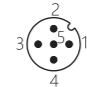
Plug connector M12 straight or right angle female, male, 5-pin

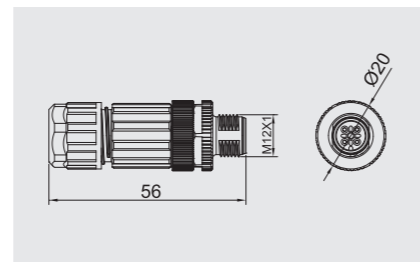
M12 straight female

Wiring method: screw terminal	Cable diameter	Part number	Order code
	Ø4-6 mm, no LED, normally open and normally closed	FCC M435-0000-1A-41X575	64F201
	Ø6-8 mm, no LED, normally open and normally closed	FCC M435-0000-1A-51X575	64F221
Pin placement 			


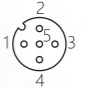


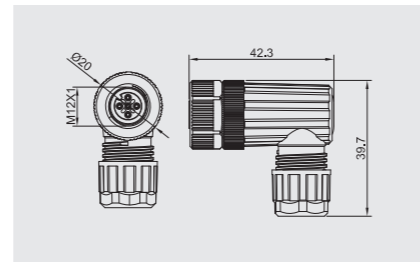
M12 straight male

Wiring method: screw terminal	Cable diameter	Part number	Order code
	Ø4-6 mm, no LED, normally open and normally closed	FCC M435-0000-2A-41X575	64F281
	Ø6-8 mm, no LED, normally open and normally closed	FCC M435-0000-2A-51X575	64F301
Pin placement 			


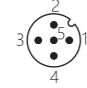


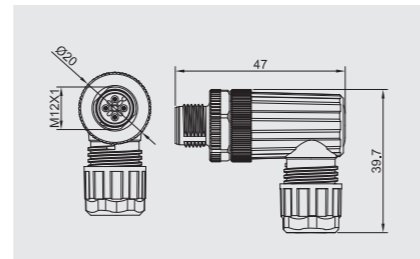
M12 right angle female

Wiring method: screw terminal	Cable diameter	Part number	Order code
	Ø4-6 mm, no LED, normally open and normally closed	FCC M445-0000-1A-41X575	64F241
	Ø6-8 mm, no LED, normally open and normally closed	FCC M445-0000-1A-51X575	64F261
Pin placement 			



M12 right angle male

Wiring method: screw terminal	Cable diameter	Part number	Order code
	Ø4-6 mm, no LED, normally open and normally closed	FCC M445-0000-2A-41X575	64F321
	Ø6-8 mm, no LED, normally open and normally closed	FCC M445-0000-2A-51X575	64F341
Pin placement 			


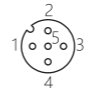


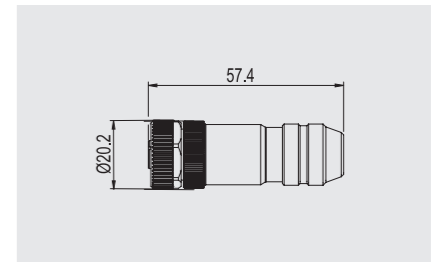
Technical parameter

	5 Pin
Max. supply voltage AC U _B	125V
Max. supply voltage DC U _B	125V
Cable	User-fabricated
Number of conductors x conductor cross-section	5x0.14...0.75 mm ²
Cable diameter	/
Connection method	Screw terminal
Degree of protection as per IEC 60529	IP 67
Ambient temperature T _a	-40...+85 °C


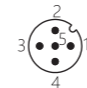
Plug connector M12 straight or right angle female, male, 5-pin

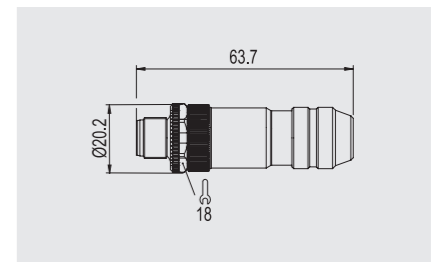
M12 straight female

Wiring method: screw terminal	Cable diameter	Part number	Order code
	Ø6 - 8 mm	FCC M475-0000-1A-51X575	64F541
	Pin placement 		





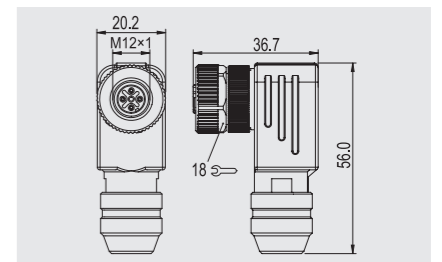
M12 straight male

Wiring method: screw terminal	Cable diameter	Part number	Order code
	Ø6 - 8 mm	FCC M475-0000-2A-51X575	64F521
	Pin placement 		


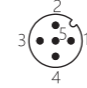


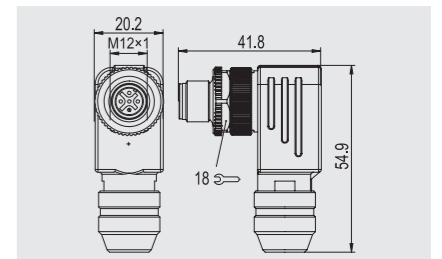
M12 right angle female

Wiring method: screw terminal	Cable diameter	Part number	Order code
	Ø6 - 8 mm	FCC M485-0000-1A-51X575	64F561
	Pin placement 		



M12 right angle male

Wiring method: screw terminal	Cable diameter	Part number	Order code
	Ø6 - 8 mm	FCC M485-0000-2A-51X575	64F581
	Pin placement 		



Technical parameter

	5 Pin
Max. supply voltage AC U _B	125V
Max. supply voltage DC U _B	125V
Cable	User-fabricated
Number of conductors x conductor cross-section	5x0.75 mm ²
Cable diameter	Ø6 - 8 mm
Connection method	Screw terminal
Degree of protection as per IEC 60529	IP 67
Ambient temperature T _a	-40...+85 °C

Plug connector M12 straight or right angle female, male, 8-pin

M12 straight female

Wiring method: screw terminal

Cable diameter	Part number	Order code
Ø6 - 8 mm	FCC M438-0000-1A-51X825	64F361



Pin placement



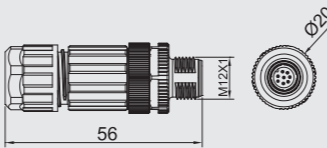
M12 straight male

Wiring method: screw terminal

Cable diameter	Part number	Order code
Ø6 - 8 mm	FCC M438-0000-2A-51X825	64F381



Pin placement



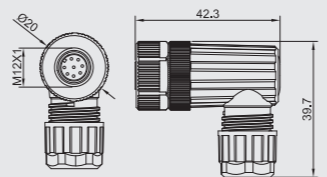
M12 right angle female

Wiring method: screw terminal

Cable diameter	Part number	Order code
Ø6 - 8 mm	FCC M448-0000-1A-51X825	64F401



Pin placement



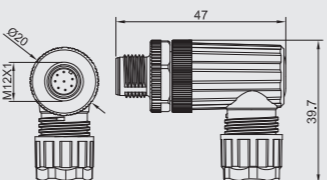
M12 right angle male

Wiring method: screw terminal

Cable diameter	Part number	Order code
Ø6 - 8 mm	FCC M448-0000-2A-51X825	64F421



Pin placement



Technical parameter

	8 Pin
Max. supply voltage AC U _B	60V
Max. supply voltage DC U _B	60V
Cable	User-fabricated
Number of conductors x conductor cross-section	8x0.14...0.25 mm ²
Cable diameter	Ø6 - 8 mm
Connection method	Screw terminal
Degree of protection as per IEC 60529	IP 67
Ambient temperature T _a	-40...+85 °C

Plug connector M12 straight or right angle female, male, 8-pin

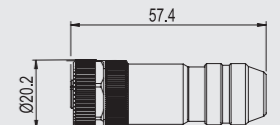
M12 straight female

Wiring method: screw terminal

Cable diameter	Part number	Order code
Ø6 - 8 mm	FCC M478-0000-1A-51X825	64F601



Pin placement



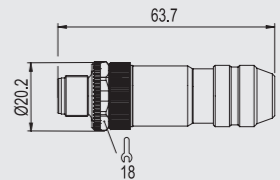
M12 straight male

Wiring method: screw terminal

Cable diameter	Part number	Order code
Ø6 - 8 mm	FCC M478-0000-2A-51X825	64F621



Pin placement



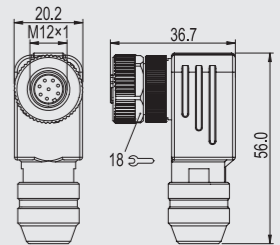
M12 right angle female

Wiring method: screw terminal

Cable diameter	Part number	Order code
Ø6 - 8 mm	FCC M488-0000-1A-51X825	64F641



Pin placement



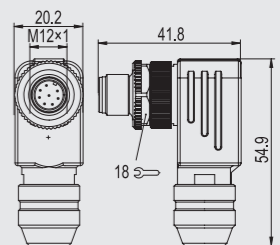
M12 right angle male

Wiring method: screw terminal

Cable diameter	Part number	Order code
Ø6 - 8 mm	FCC M488-0000-2A-51X825	64F681



Pin placement



Technical parameter

	8 Pin
Max. supply voltage AC U _B	60V
Max. supply voltage DC U _B	60V
Cable	User-fabricated
Number of conductors x conductor cross-section	8x0.14...0.25 mm ²
Cable diameter	Ø6 - 8 mm
Connection method	Screw terminal
Degree of protection as per IEC 60529	IP 67
Ambient temperature T _a	-40...+85 °C

Plug connector M12 straight or right angle female, male, 4-pin

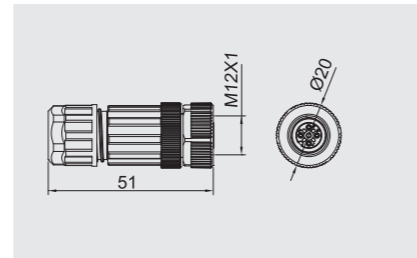
M12 straight female

Wiring method: screw terminal



Cable diameter	Part number	Order code
Ø4-6 mm, no LED, normally open and normally closed	FCC M435-0002-1A-41X475	64F009
Ø6-8 mm, no LED, normally open and normally closed	FCC M435-0002-1A-51X475	64F029

Pin placement



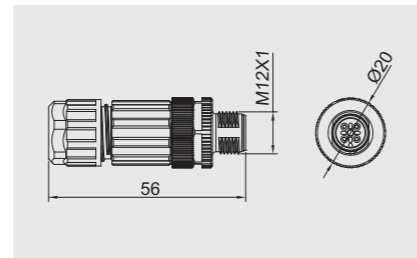
M12 straight male

Wiring method: screw terminal



Cable diameter	Part number	Order code
Ø4-6 mm, no LED, normally open and normally closed	FCC M434-0002-2A-41X475	64F109
Ø6-8 mm, no LED, normally open and normally closed	FCC M434-0002-2A-51X475	64F129

Pin placement



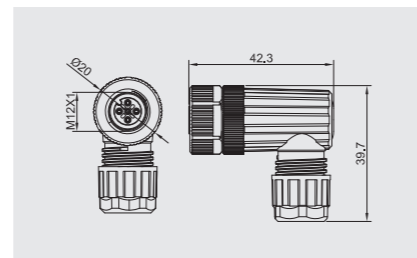
M12 right angle female

Wiring method: screw terminal



Cable diameter	Part number	Order code
Ø4-6 mm, no LED, normally open and normally closed	FCC M445-0002-1A-41X475	64F069
Ø6-8 mm, no LED, normally open and normally closed	FCC M445-0002-1A-51X475	64F089

Pin placement



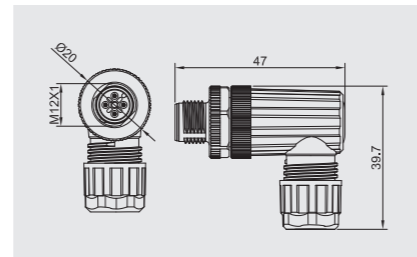
M12 right angle male

Wiring method: screw terminal



Cable diameter	Part number	Order code
Ø4-6 mm, no LED, normally open and normally closed	FCC M444-0002-2A-41X475	64F169
Ø6-8 mm, no LED, normally open and normally closed	FCC M444-0002-2A-51X475	64F189

Pin placement



Technical parameter

	4 Pin
Max. supply voltage AC U _B	250V
Max. supply voltage DC U _B	250V
Cable	User-fabricated
Number of conductors x conductor cross-section	4x0.14...0.75 mm ²
Cable diameter	/
Connection method	Screw terminal
Degree of protection as per IEC 60529	IP 67
Ambient temperature T _a	-40...+85 °C

Plug connector M12 straight or right angle female, male, 5-pin

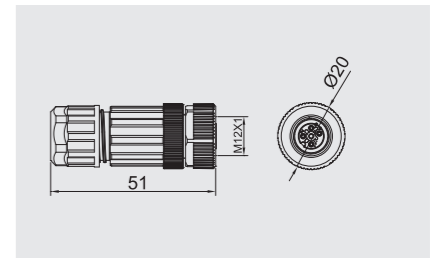
M12 straight female

Wiring method: screw terminal



Cable diameter	Part number	Order code
Ø4-6 mm, no LED, normally open and normally closed	FCC M435-0002-1A-41X575	64F209
Ø6-8 mm, no LED, normally open and normally closed	FCC M435-0002-1A-51X575	64F229

Pin placement



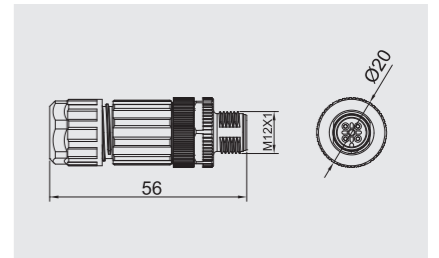
M12 straight male

Wiring method: screw terminal



Cable diameter	Part number	Order code
Ø4-6 mm, no LED, normally open and normally closed	FCC M435-0002-2A-41X575	64F289
Ø6-8 mm, no LED, normally open and normally closed	FCC M435-0002-2A-51X575	64F309

Pin placement



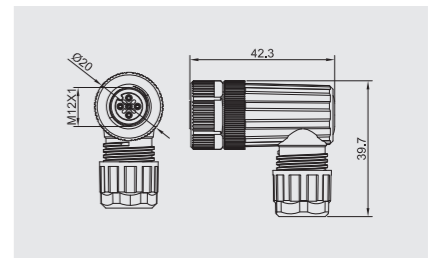
M12 right angle female

Wiring method: screw terminal



Cable diameter	Part number	Order code
Ø4-6 mm, no LED, normally open and normally closed	FCC M445-0002-1A-41X575	64F249
Ø6-8 mm, no LED, normally open and normally closed	FCC M445-0002-1A-51X575	64F269

Pin placement



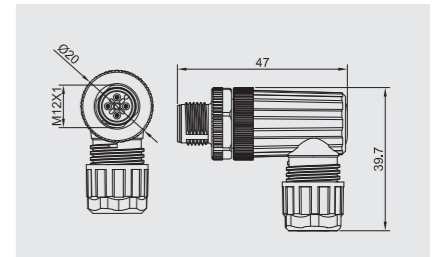
M12 right angle male

Wiring method: screw terminal



Cable diameter	Part number	Order code
Ø4-6 mm, no LED, normally open and normally closed	FCC M445-0002-2A-41X575	64F329
Ø6-8 mm, no LED, normally open and normally closed	FCC M445-0002-2A-51X575	64F349

Pin placement



Technical parameter

	5 Pin
Max. supply voltage AC U _B	125V
Max. supply voltage DC U _B	125V
Cable	User-fabricated
Number of conductors x conductor cross-section	5x0.14...0.75 mm ²
Cable diameter	/
Connection method	Screw terminal
Degree of protection as per IEC 60529	IP 67
Ambient temperature T _a	-40...+85 °C

Plug connector M12 straight or right angle female, male, 8-pin

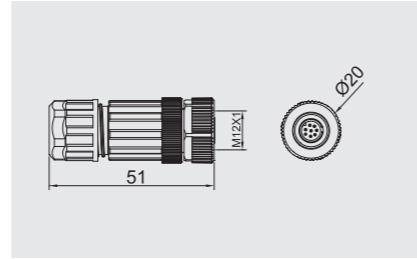
M12 straight female

Wiring method: screw terminal

Food industry



Cable diameter	Part number	Order code
Ø6 - 8 mm	FCC M438-0002-1A-51X825	64F369
Pin placement		



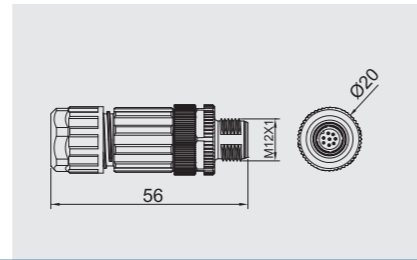
M12 straight male

Wiring method: screw terminal

Food industry



Cable diameter	Part number	Order code
Ø6 - 8 mm	FCC M438-0002-2A-51X825	64F389
Pin placement		



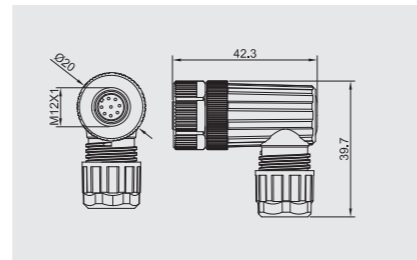
M12 right angle female

Wiring method: screw terminal

Food industry



Cable diameter	Part number	Order code
Ø6 - 8 mm	FCC M448-0002-1A-51X825	64F409
Pin placement		



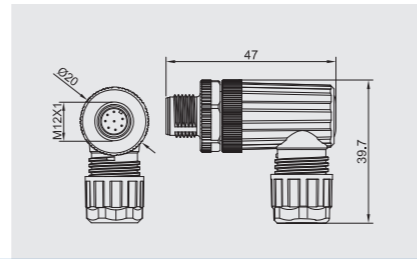
M12 right angle male

Wiring method: screw terminal

Food industry



Cable diameter	Part number	Order code
Ø6 - 8 mm	FCC M448-0002-2A-51X825	64F429
Pin placement		



CE RoHS compliant

Technical parameter


8 Pin	
Max. supply voltage AC U _B	60V
Max. supply voltage DC U _B	60V
Cable	User-fabricated
Number of conductors x conductor cross-section	8x0.14...0.25 mm ²
Cable diameter	Ø6 - 8 mm
Connection method	Screw terminal
Degree of protection as per IEC 60529	IP 67
Ambient temperature T _a	-40...+85 °C

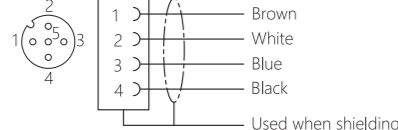
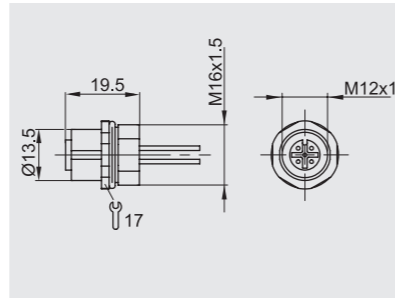
Installation diagram Front/rear installation diagram




Socket M12 flange socket, 4-pin

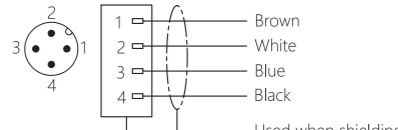
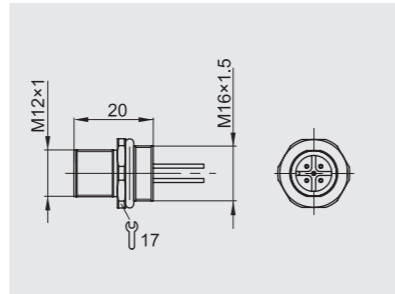
Front mounting, M12 flange female

4-pin	Length	Part number-xxx	Order code
	User-defined	FCC M4A5-0000-1A-C00-NGN434-xxx	64SA01-xxx
	Suitable for PCB installation	FCC M4A5-0000-1A-C00-P	64SA01P
	Suitable for on-site welding installation	FCC M4A5-0000-1A-C00-H	64SA01H





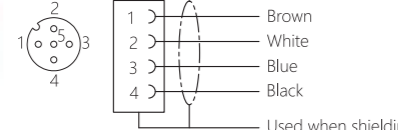
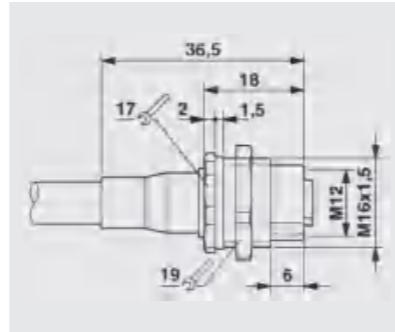
Front mounting, M12 flange male

4-pin	Length	Part number-xxx	Order code
	User-defined	FCC M4A4-0000-2A-C00-NGN434-xxx	64SA21-xxx
	Suitable for PCB installation	FCC M4A4-0000-2A-C00-P	64SA21P
	Suitable for on-site welding installation	FCC M4A4-0000-2A-C00-H	64SA21H





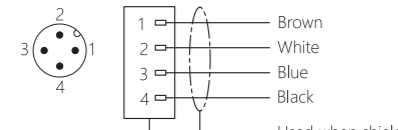
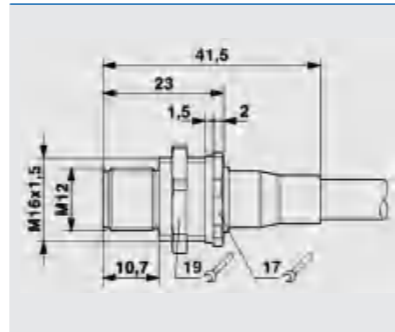
Rear mounting, M12 flange female

4-pin	Length	Part number-xxx	Order code
	User-defined	FCC M4B5-0000-1A-C00-NGN434-xxx	64SB41-xxx
	User-defined (Sheathed, shielded)	FCC M4B5-0000-1A-C00-VS8434-xxx	64SB45-xxx
	Suitable for PCB installation	FCC M4B5-0000-1A-C00-P	64SB41P
	Suitable for on-site welding installation	FCC M4B5-0000-1A-C00-H	64SB41H

Rear mounting, M12 flange male


4-pin	Length	Part number-xxx	Order code
	User-defined	FCC M4B4-0000-2A-C00-NGN434-xxx	64SB61-xxx
	User-defined (Sheathed, shielded)	FCC M4B4-0000-2A-C00-VS8434-xxx	64SB65-xxx
	Suitable for PCB installation	FCC M4B4-0000-2A-C00-P	64SB61P
	Suitable for on-site welding installation	FCC M4B4-0000-2A-C00-H	64SB61H

CE RoHS compliant Remarks: xxx=cable length, can be customized when ordering, the cable length is incremented by 0.5m, for example: 005=0.5m, 010=1m, 015=1.5m


Technical parameter

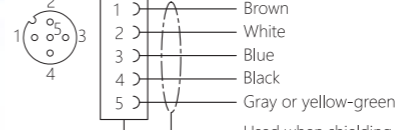
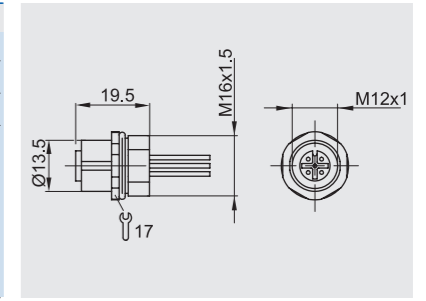
	4 Pin
Max. supply voltage AC U _B	250V
Max. supply voltage DC U _B	250V
Number of conductors x conductor cross-section	4x0.34 mm ²
Degree of protection as per IEC 60529	IP 67
Ambient temperature T _a	-25...+80 °C




Socket M12 flange socket, 5-pin

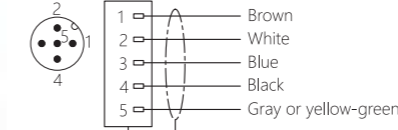
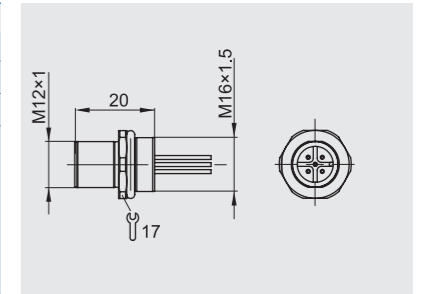
Front mounting, M12 flange female

5-pin	Length	Part number-xxx	Order code
	User-defined	FCC M4A5-0000-1A-D00-NGN534-xxx	64SA41-xxx
	Suitable for PCB installation	FCC M4A5-0000-1A-D00-P	64SA41P
	Suitable for on-site welding installation	FCC M4A5-0000-1A-D00-H	64SA41H





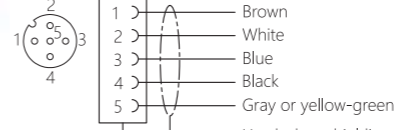
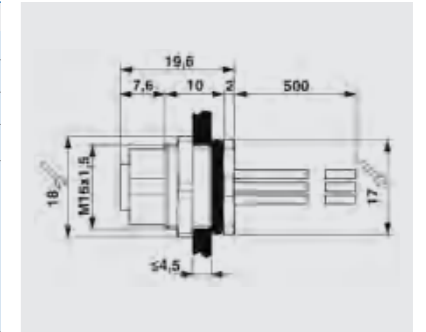
Front mounting, M12 flange male

5-pin	Length	Part number-xxx	Order code
	User-defined	FCC M4A5-0000-2A-D00-NGN534-xxx	64SA61-xxx
	Suitable for PCB installation	FCC M4A5-0000-2A-D00-P	64SA61P
	Suitable for on-site welding installation	FCC M4A5-0000-2A-D00-H	64SA61H





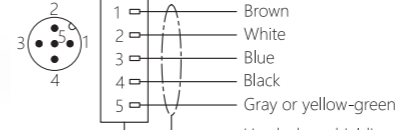
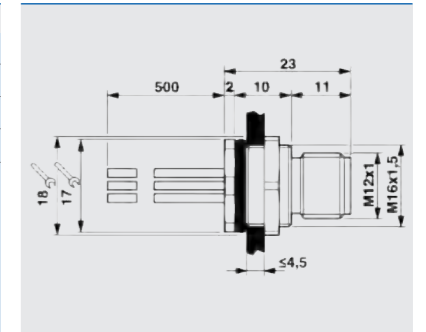
Rear mounting, M12 flange female

5-pin	Length	Part number-xxx	Order code
	User-defined	FCC M4B5-0000-1A-D00-NGN534-xxx	64SB81-xxx
	User-defined (Sheathed, shielded)	FCC M4B5-0000-1A-D00-VS8534-xxx	64SB85-xxx
	Suitable for PCB installation	FCC M4B5-0000-1A-D00-P	64SB81P
	Suitable for on-site welding installation	FCC M4B5-0000-1A-D00-H	64SB81H

Rear mounting, M12 flange male


5-pin	Length	Part number-xxx	Order code
	User-defined	FCC M4B5-0000-2A-D00-NGN534-xxx	64SC01-xxx
	User-defined (Sheathed, shielded)	FCC M4B5-0000-2A-D00-VS8534-xxx	64SC05-xxx
	Suitable for PCB installation	FCC M4B5-0000-2A-D00-P	64SC01P
	Suitable for on-site welding installation	FCC M4B5-0000-2A-D00-H	64SC01H

CE RoHS compliant Remarks: xxx=cable length, can be customized when ordering, the cable length is incremented by 0.5m, for example: 005=0.5m, 010=1m, 015=1.5m

Technical parameter

	5 Pin
Max. supply voltage AC U _B	125V
Max. supply voltage DC U _B	125V
Number of conductors x conductor cross-section	5x0.34 mm ²
Degree of protection as per IEC 60529	IP 67
Ambient temperature T _a	-25...+80 °C



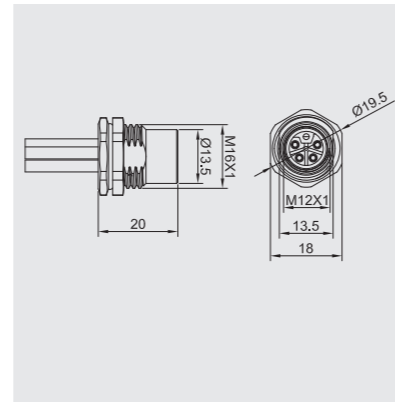
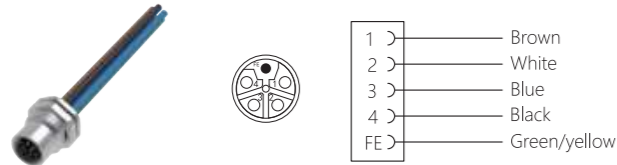
Socket

M12 flange socket, L-coded, 5-pin

M12

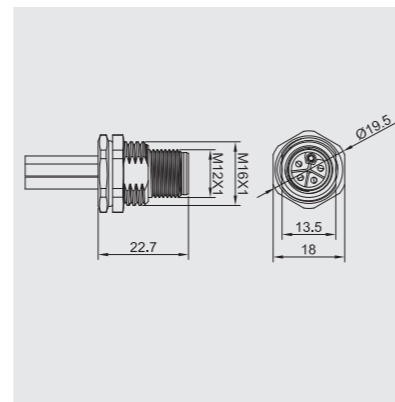
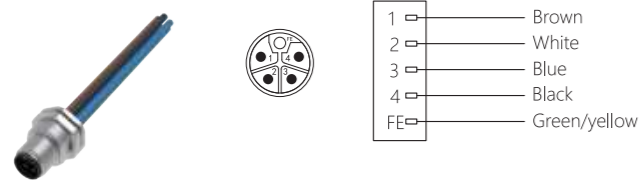
M12 female plug welding plate rear installation

L-coded, 5-pin	Length	Part number-xxx	Order code
	User-defined	FCC M4B5-0000-1L-D00-VK05A1-xxx	64LB01-xxx
	Suitable for on-site welding installation	FCC M4B5-0000-1L-D00-H	64LB01H



M12 male plug welding plate rear installation

L-coded, 5-pin	Length	Part number-xxx	Order code
	User-defined	FCC M4B5-0000-2L-D00-VK05A1-xxx	64LB21-xxx
	Suitable for on-site welding installation	FCC M4B5-0000-2L-D00-H	64LB21H



CE RoHS compliant Remarks: xxx=cable length, can be customized when ordering, the cable length is incremented by 0.5m, for example: 005=0.5m, 010=1m, 015=1.5m

Technical parameter

	5 Pin
Max. supply voltage AC U _B	48V
Max. supply voltage DC U _B	48V
Number of conductors x conductor cross-section	5×1.5mm ²
Degree of protection as per IEC 60529	IP 67
Ambient temperature T _a	-25...+80 °C



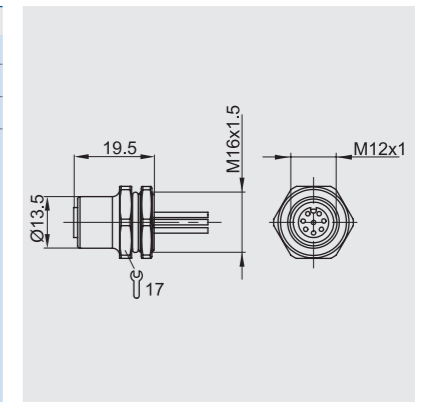
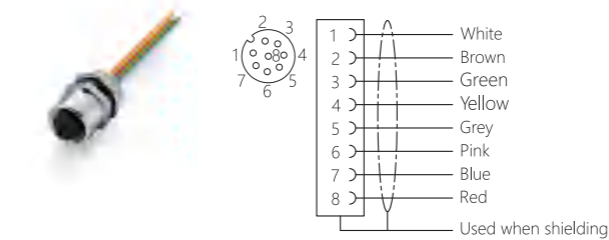
Socket

M12 flange socket, 8-pin

FAS®

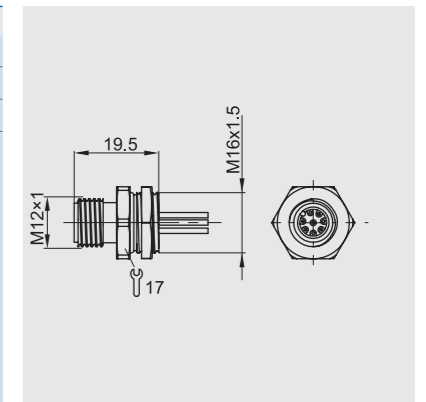
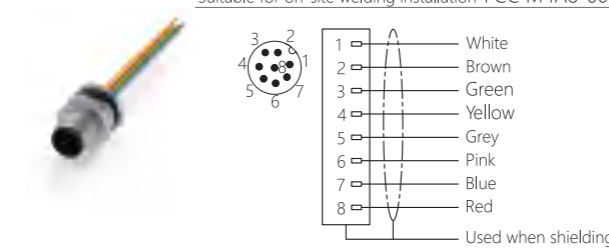
Front panel mounting, M12 flange female socket

8-pin	Length	Part number-xxx	Order code
	User-defined	FCC M4A8-0000-1A-D00-NGN825-xxx	64SB01-xxx
	Suitable for PCB installation	FCC M4A8-0000-1A-D00-P	64SB01P
	Suitable for on-site welding installation	FCC M4A8-0000-1A-D00-H	64SB01H



Front mounting, M12 flange male plug

8-pin	Length	Part number-xxx	Order code
	User-defined	FCC M4A8-0000-2A-D00-NGN825-xxx	64SB21-xxx
	Suitable for PCB installation	FCC M4A8-0000-2A-D00-P	64SB21P
	Suitable for on-site welding installation	FCC M4A8-0000-2A-D00-H	64SB21H



CE RoHS compliant Remarks: xxx=cable length, can be customized when ordering, the cable length is incremented by 0.5m, for example: 005=0.5m, 010=1m, 015=1.5m

Technical parameter

	8 Pin
Max. supply voltage AC U _B	60V
Max. supply voltage DC U _B	60V
Number of conductors x conductor cross-section	8×0.25 mm ²
Degree of protection as per IEC 60529	IP 67
Ambient temperature T _a	-25...+80 °C

02

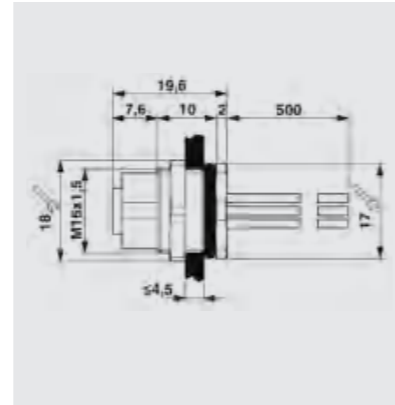
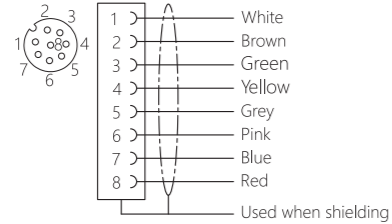
Plug connectors and valve plugs

Socket
M12 flange socket, 8-pin

M12

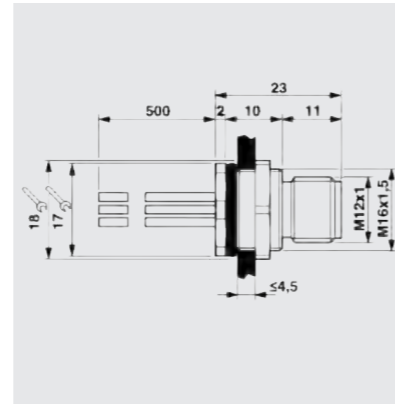
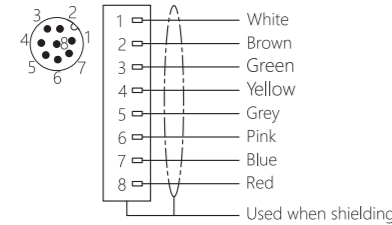
Rear mounting, M12 flange female socket

8-pin	Length	Part number-xxx	Order code
	User-defined	FCC M4B8-0000-1A-E00-NGN825-xxx	64SC21-xxx
	Suitable for PCB installation	FCC M4B8-0000-1A-E00-P	64SC21P
	Suitable for on-site welding installation	FCC M4B8-0000-1A-E00-H	64SC21H



Rear mounting, M12 flange male plug

8-pin	Length	Part number-xxx	Order code
	User-defined	FCC M4B8-0000-2A-E00-NGN825-xxx	64SC41-xxx
	Suitable for PCB installation	FCC M4B8-0000-2A-E00-P	64SC41P
	Suitable for on-site welding installation	FCC M4B8-0000-2A-E00-H	64SC41H



CE RoHS compliant Remarks: xxx=cable length, can be customized when ordering, the cable length is incremented by 0.5m, for example: 005=0.5m, 010=1m, 015=1.5m

Technical parameter

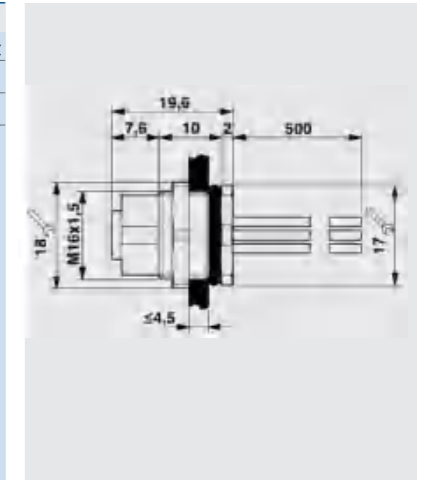
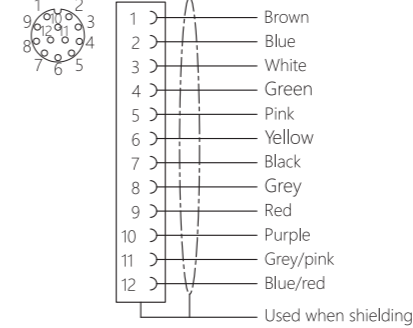
8 Pin	
Max. supply voltage AC Ub	60V
Max. supply voltage DC Ub	60V
Number of conductors x conductor cross-section	8x0.25 mm ²
Degree of protection as per IEC 60529	IP 67
Ambient temperature Ta	-25...+80 °C

Socket
M12 flange socket, 12-pin

FAS®

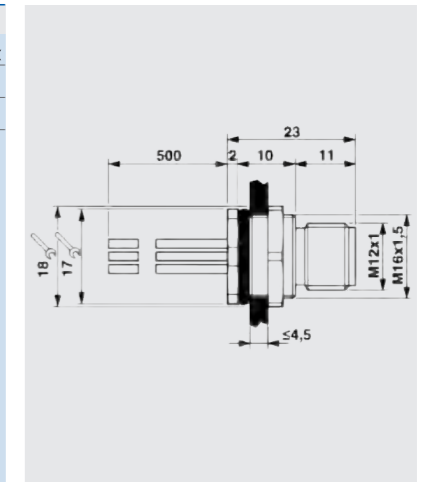
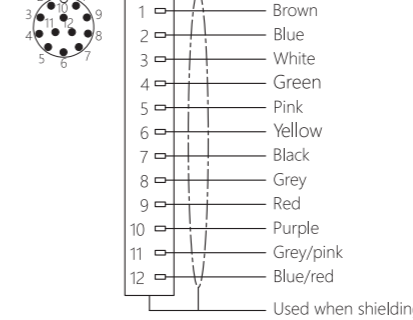
Rear mounting, M12 flange female socket

12-pin	Length	Part number-xxx	Order code
	User-defined	FCC M4BC-0000-1A-F00-NGNC14-xxx	64SC61-xxx
	Suitable for PCB installation	FCC M4BC-0000-1A-F00-P	64SC61P
	Suitable for on-site welding installation	FCC M4BC-0000-1A-F00-H	64SC61H



Rear mounting, M12 flange male plug

12-pin	Length	Part number-xxx	Order code
	User-defined	FCC M4BC-0000-2A-F00-NGNC14-xxx	64SC81-xxx
	Suitable for PCB installation	FCC M4BC-0000-2A-F00-P	64SC81P
	Suitable for on-site welding installation	FCC M4BC-0000-2A-F00-H	64SC81H



CE RoHS compliant Remarks: xxx=cable length, can be customized when ordering, the cable length is incremented by 0.5m, for example: 005=0.5m, 010=1m, 015=1.5m

Technical parameter

12 Pin	
Max. supply voltage AC Ub	30V
Max. supply voltage DC Ub	30V
Number of conductors x conductor cross-section	12x0.14 mm ²
Degree of protection as per IEC 60529	IP 67
Ambient temperature Ta	-25...+80 °C



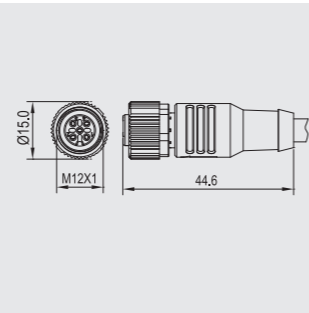
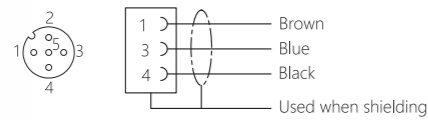
02

Plug connectors and valve plugs

Plug connector M12 straight or right angle male, female, 3-pin, no LED

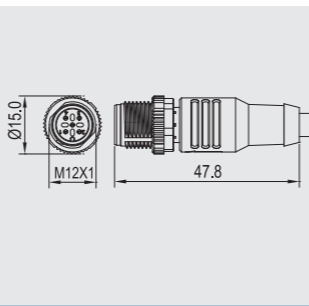
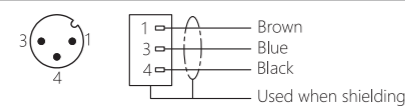
M12 straight female
3-pin

Cable material	Color	Part number-xxx	Order code
PUR (Flexible cable)	Black	FCC M415-0000-1A-001-PH0334-xxx	64S021 -xxx
PUR shield(Flexible cable)	Black	FCC M415-0000-1A-001-PS0334-xxx	64S025 -xxx
PVC (Fixed installation)	Grey	FCC M415-0000-1A-001-VX8334-xxx	64S023 -xxx
PVC shield(Fixed installation)	Grey	FCC M415-0000-1A-001-VS8334-xxx	64S027 -xxx



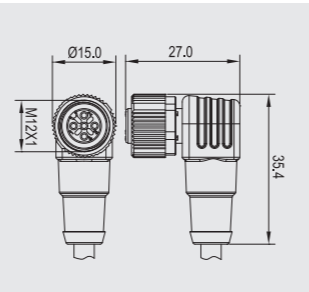
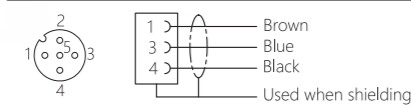
M12 straight male
3-pin

Cable material	Color	Part number-xxx	Order code
PUR (Flexible cable)	Black	FCC M413-0000-2A-001-PH0334-xxx	64S001 -xxx
PUR shield(Flexible cable)	Black	FCC M413-0000-2A-001-PS0334-xxx	64S005 -xxx
PVC (Fixed installation)	Grey	FCC M413-0000-2A-001-VX8334-xxx	64S003 -xxx
PVC shield(Fixed installation)	Grey	FCC M413-0000-2A-001-VS8334-xxx	64S007 -xxx



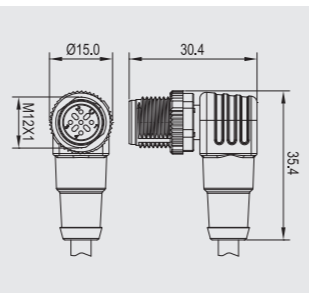
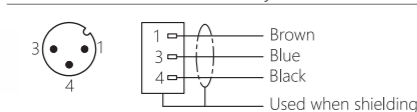
M12 right angle female
3-pin

Cable material	Color	Part number-xxx	Order code
PUR (Flexible cable)	Black	FCC M425-0000-1A-001-PH0334-xxx	64S041 -xxx
PUR shield(Flexible cable)	Black	FCC M425-0000-1A-001-PS0334-xxx	64S045 -xxx
PVC (Fixed installation)	Grey	FCC M425-0000-1A-001-VX8334-xxx	64S043 -xxx
PVC shield(Fixed installation)	Grey	FCC M425-0000-1A-001-VS8334-xxx	64S047 -xxx



M12 right angle male
3-pin

Cable material	Color	Part number-xxx	Order code
PUR (Flexible cable)	Black	FCC M423-0000-2A-001-PH0334-xxx	64S501 -xxx
PUR shield(Flexible cable)	Black	FCC M423-0000-2A-001-PS0334-xxx	64S505 -xxx
PVC (Fixed installation)	Grey	FCC M423-0000-2A-001-VX8334-xxx	64S503 -xxx
PVC shield(Fixed installation)	Grey	FCC M423-0000-2A-001-VS8334-xxx	64S507 -xxx



CE RoHS compliant Remarks: xxx=cable length, can be customized when ordering, the cable length is incremented by 0.5m, for example: 005=0.5m, 010=1m, 015=1.5m

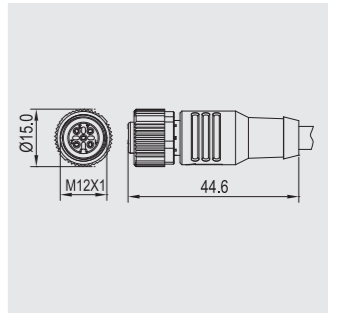
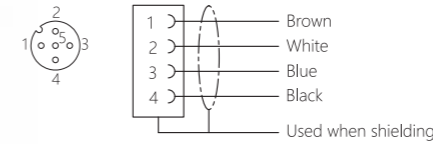
Technical parameter

	3 Pin
Max. supply voltage AC U _B	250V
Max. supply voltage DC U _B	250V
Cable	Casting
Number of conductors x conductor cross-section	3x0.34 mm ²
Degree of protection as per IEC 60529	IP 67
Ambient temperature T _a	-25...+80°C

Plug connector M12 straight or right angle male, female, 4-pin, no LED

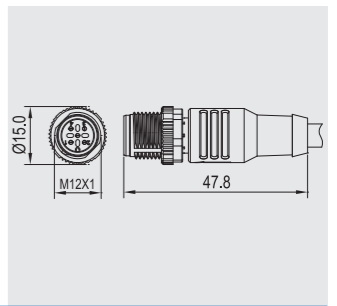
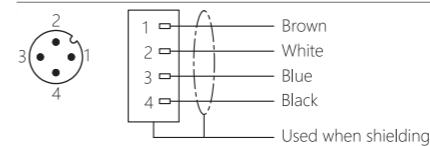
M12 straight female
4-pin

Cable material	Color	Part number-xxx	Order code
PUR (Flexible cable)	Black	FCC M415-0000-1A-006-PH0434-xxx	64S141 -xxx
PUR shield(Flexible cable)	Black	FCC M415-0000-1A-006-PS0434-xxx	64S145 -xxx
PVC (Fixed installation)	Grey	FCC M415-0000-1A-006-VX8434-xxx	64S143 -xxx
PVC shield(Fixed installation)	Grey	FCC M415-0000-1A-006-VS8434-xxx	64S147 -xxx



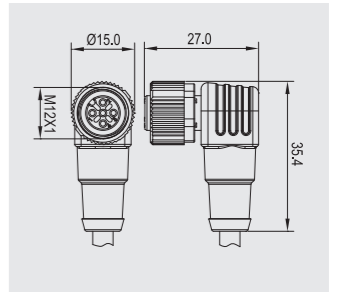
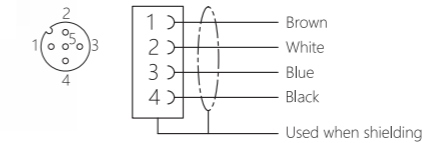
M12 straight male
4-pin

Cable material	Color	Part number-xxx	Order code
PUR (Flexible cable)	Black	FCC M414-0000-2A-006-PH0434-xxx	64S101 -xxx
PUR shield(Flexible cable)	Black	FCC M414-0000-2A-006-PS0434-xxx	64S105 -xxx
PVC (Fixed installation)	Grey	FCC M414-0000-2A-006-VX8434-xxx	64S103 -xxx
PVC shield(Fixed installation)	Grey	FCC M414-0000-2A-006-VS8434-xxx	64S107 -xxx



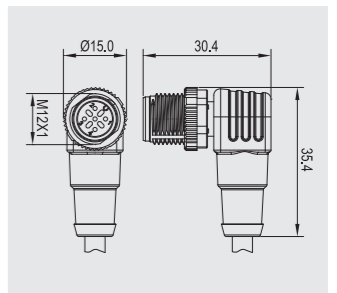
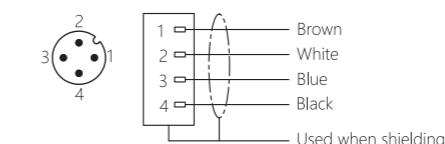
M12 right angle female
4-pin

Cable material	Color	Part number-xxx	Order code
PUR (Flexible cable)	Black	FCC M425-0000-1A-006-PH0434-xxx	64S201 -xxx
PUR shield(Flexible cable)	Black	FCC M425-0000-1A-006-PS0434-xxx	64S205 -xxx
PVC (Fixed installation)	Grey	FCC M425-0000-1A-006-VX8434-xxx	64S203 -xxx
PVC shield(Fixed installation)	Grey	FCC M425-0000-1A-006-VS8434-xxx	64S207 -xxx



M12 right angle male
4-pin

Cable material	Color	Part number-xxx	Order code
PUR (Flexible cable)	Black	FCC M424-0000-2A-006-PH0434-xxx	64S521 -xxx
PUR shield(Flexible cable)	Black	FCC M424-0000-2A-006-PS0434-xxx	64S525 -xxx
PVC (Fixed installation)	Grey	FCC M424-0000-2A-006-VX8434-xxx	64S523 -xxx
PVC shield(Fixed installation)	Grey	FCC M424-0000-2A-006-VS8434-xxx	64S527 -xxx



CE RoHS compliant Remarks: xxx=cable length, can be customized when ordering, the cable length is incremented by 0.5m, for example: 005=0.5m, 010=1m, 015=1.5m

Technical parameter

	4 Pin
Max. supply voltage AC U _B	250V
Max. supply voltage DC U _B	250V
Cable	Casting
Number of conductors x conductor cross-section	4x0.34 mm ²
Degree of protection as per IEC 60529	IP 67
Ambient temperature T _a	-25...+80°C

Plug connector

M12 straight or right angle male, female, 5-pin, no LED

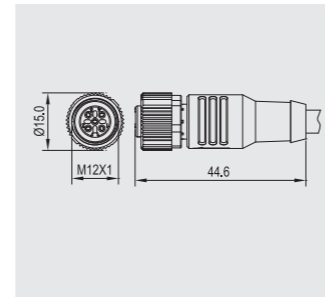
M12

Plug connector

M12 straight or right angle male, female, 8-pin, no LED

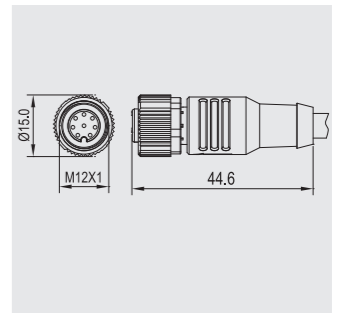
M12 straight female

5-pin	Cable material	Color	Part number-xxx	Order code
	PUR (Flexible cable) Pin 5 gray	Black	FCC M415-0000-1A-006-PH0534-xxx	64S261 -xxx
	PUR (Flexible cable) Pin 5 yellow green	Black	FCC M415-0000-1A-012-PH0534YG-xxx	64S269 -xxx
	PVC (Fixed installation) Pin 5 gray	Grey	FCC M415-0000-1A-006-VX8534-xxx	64S263 -xxx
	PUR shield(Flexible cable) Pin 5 gray	Black	FCC M415-0000-1A-006-PS0534-xxx	64S265 -xxx
	PVC shield(Fixed installation) Pin 5 gray	Grey	FCC M415-0000-1A-006-VS8534-xxx	64S267 -xxx



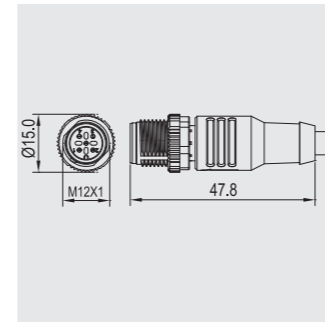
M12 straight female

8-pin	Cable material	Color	Part number-xxx	Order code
	PUR (Flexible cable)	Black	FCC M418-0000-1A-000-PH0825-xxx	64S321 -xxx
	PVC	Grey	FCC M418-0000-1A-000-VX8825-xxx	64S325 -xxx
	PUR shield(Flexible cable)	Black	FCC M418-0000-1A-000-PS0825-xxx	64S323 -xxx



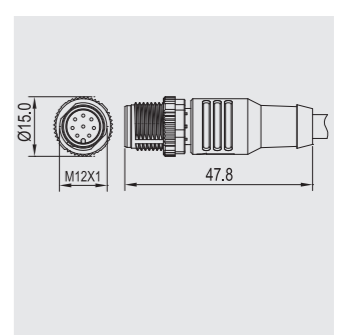
M12 straight male

5-pin	Cable material	Color	Part number-xxx	Order code
	PUR (Flexible cable)	Black	FCC M415-0000-2A-006-PH0534-xxx	64S121 -xxx
	PUR shield(Flexible cable)	Black	FCC M415-0000-2A-006-PS0534-xxx	64S125 -xxx
	PVC (Fixed installation)	Grey	FCC M415-0000-2A-006-VX8534-xxx	64S123 -xxx
	PVC shield(Fixed installation)	Grey	FCC M415-0000-2A-006-VS8534-xxx	64S127 -xxx



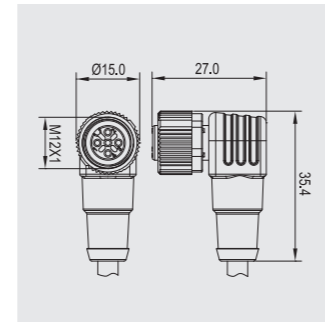
M12 straight male

8-pin	Cable material	Color	Part number-xxx	Order code
	PUR (Flexible cable)	Black	FCC M418-0000-2A-000-PH0825-xxx	64S361 -xxx
	PVC	Grey	FCC M418-0000-2A-000-VX8825-xxx	64S365 -xxx
	PUR shield(Flexible cable)	Black	FCC M418-0000-2A-000-PS0825-xxx	64S363 -xxx



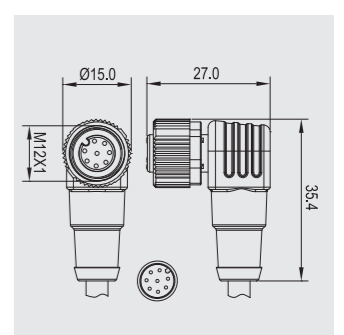
M12 right angle female

5-pin	Cable material	Color	Part number-xxx	Order code
	PUR (Flexible cable) Pin 5 gray	Black	FCC M425-0000-1A-006-PH0534-xxx	64S281 -xxx
	PUR (Flexible cable) Pin 5 yellow green	Black	FCC M425-0000-1A-012-PH0534YG-xxx	64S289 -xxx
	PVC (Fixed installation) Pin 5 gray	Grey	FCC M425-0000-1A-006-VX8534-xxx	64S283 -xxx
	PUR shield(Flexible cable) Pin 5 gray	Black	FCC M425-0000-1A-006-PS0534-xxx	64S285 -xxx
	PVC shield(Fixed installation) Pin 5 gray	Grey	FCC M425-0000-1A-006-VS8534-xxx	64S287 -xxx



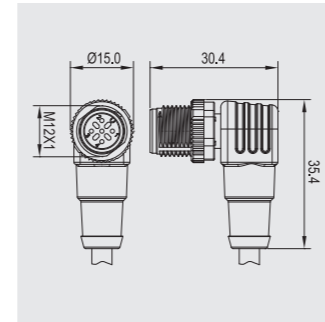
M12 right angle female

8-pin	Cable material	Color	Part number-xxx	Order code
	PUR (Flexible cable)	Black	FCC M428-0000-1A-000-PH0825-xxx	64S341 -xxx
	PVC	Grey	FCC M428-0000-1A-000-VX8825-xxx	64S345 -xxx
	PUR shield(Flexible cable)	Black	FCC M428-0000-1A-000-PS0825-xxx	64S343 -xxx



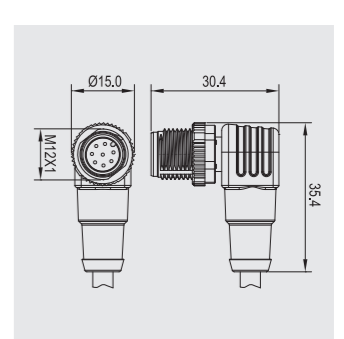
M12 right angle male

5-pin	Cable material	Color	Part number-xxx	Order code
	PUR (Flexible cable) Pin 5 gray	Black	FCC M425-0000-2A-006-PH0534-xxx	64S561 -xxx
	PUR (Flexible cable) Pin 5 yellow green	Black	FCC M425-0000-2A-012-PH0534YG-xxx	64S569 -xxx
	PVC (Fixed installation) Pin 5 gray	Grey	FCC M425-0000-2A-006-VX8534-xxx	64S563 -xxx
	PUR shield(Flexible cable) Pin 5 gray	Black	FCC M425-0000-2A-006-PS0534-xxx	64S565 -xxx
	PVC shield(Fixed installation) Pin 5 gray	Grey	FCC M425-0000-2A-006-VS8534-xxx	64S567 -xxx



M12 right angle male

8-pin	Cable material	Color	Part number-xxx	Order code
	PUR (Flexible cable)	Black	FCC M428-0000-2A-000-PH0825-xxx	64S8R1 -xxx
	PVC	Grey	FCC M428-0000-2A-000-VX8825-xxx	64S8R5 -xxx
	PUR shield(Flexible cable)	Black	FCC M428-0000-2A-000-PS0825-xxx	64S8A1 -xxx



Remarks: xxx=cable length, can be customized when ordering, the cable length is incremented by 0.5m, for example: 005=0.5m, 010=1m, 015=1.5m

Technical parameter

5 Pin	
Max. supply voltage AC U _B	125V
Max. supply voltage DC U _B	125V
Cable	Casting
Number of conductors x conductor cross-section	5x0.34 mm ²
Degree of protection as per IEC 60529	IP 67
Ambient temperature T _a	-25...+80°C



Remarks: xxx=cable length, can be customized when ordering, the cable length is incremented by 0.5m, for example: 005=0.5m, 010=1m, 015=1.5m

Technical parameter

8 Pin	
Max. supply voltage AC U _B	60V
Max. supply voltage DC U _B	60V
Cable	Casting
Number of conductors x conductor cross-section	8x0.25 mm ²
Degree of protection as per IEC 60529	IP 67
Ambient temperature T _a	-25...+80°C


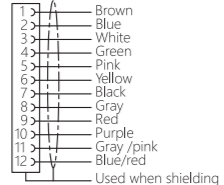
02

Plug connectors and valve plugs

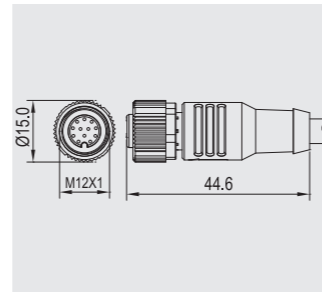
Plug connector M12 straight male, female, 12-pin, no LED

M12 straight female

12-pin	Cable material	Color	Part number-xxx	Order code
	PUR (Flexible cable)	Black	FCC M41C-0000-1A-000-PH0C14-xxx	64S381-xxx
	PUR shield (Flexible cable)	Black	FCC M41C-0000-1A-000-PS0C14-xxx	64S383-xxx

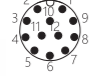
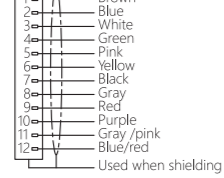



1) Brown
2) Blue
3) White
4) Green
5) Pink
6) Yellow
7) Black
8) Gray
9) Red
10) Purple
11) Gray / pink
12) Blue / red
Used when shielding

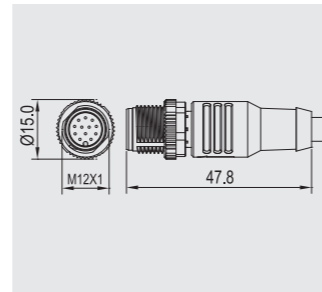


M12 straight male

12-pin	Cable material	Color	Part number-xxx	Order code
	PUR (Flexible cable)	Black	FCC M41C-0000-2A-000-PH0C14-xxx	64S401-xxx
	PUR shield (Flexible cable)	Black	FCC M41C-0000-2A-000-PS0C14-xxx	64S403-xxx

1) Brown
2) Blue
3) White
4) Green
5) Pink
6) Yellow
7) Black
8) Gray
9) Red
10) Purple
11) Gray / pink
12) Blue / red
Used when shielding



RoHS compliant Remarks: xxx=cable length, can be customized when ordering, the cable length is incremented by 0.5m, for example: 005=0.5m, 010=1m, 015=1.5m

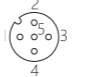
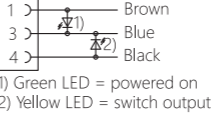
Technical parameter

	12 Pin
Max. supply voltage AC U _B	30V
Max. supply voltage DC U _B	30V
Cable	Casting
Number of conductors x conductor cross-section	12x0.14 mm ²
Degree of protection as per IEC 60529	IP 67
Ambient temperature T _a	-25...+80°C

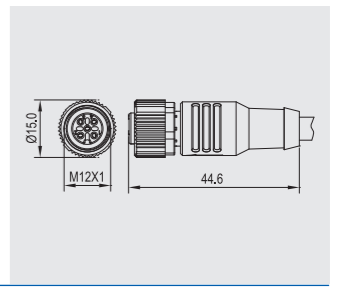
Plug connector M12 straight or right angle female, 3-pin, with LED

M12 straight female, with LED

3-pin	Cable material	Color	Part number-xxx	Order code
	PUR (Flexible cable)	Black	FCC M415-0000-1A-004-PH0334-xxx	64S081-xxx
	PVC (Fixed installation)	Grey	FCC M415-0000-1A-004-VX8334-xxx	64S083-xxx

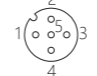
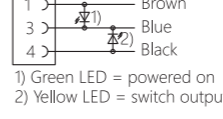



1) Green LED = powered on
2) Yellow LED = switch output

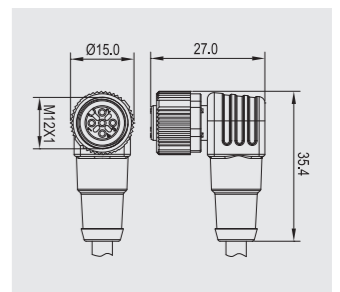


M12 right angle female, with LED

3-pin	Cable material	Color	Part number-xxx	Order code
	PUR (Flexible cable)	Black	FCC M425-0000-1A-004-PH0334-xxx	64S061-xxx
	PVC (Fixed installation)	Grey	FCC M425-0000-1A-004-VX8334-xxx	64S063-xxx

1) Green LED = powered on
2) Yellow LED = switch output



RoHS compliant Remarks: xxx=cable length, can be customized when ordering, the cable length is incremented by 0.5m, for example: 005=0.5m, 010=1m, 015=1.5m

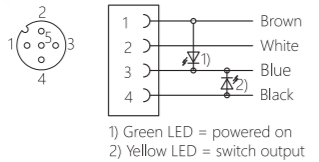
Technical parameter

	3 Pin
Max. supply voltage AC U _B	/
Max. supply voltage DC U _B	30V
Cable	Casting
Number of conductors x conductor cross-section	3x0.34 mm ²
Degree of protection as per IEC 60529	IP 67
Ambient temperature T _a	-25...+80°C

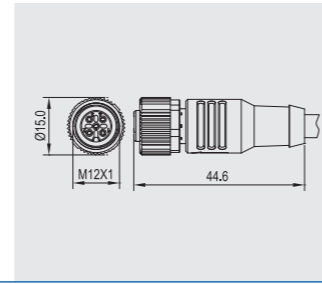
Plug connector M12 straight or right-angle female, 4-pin, with LED

M12 straight female, with LED

4-pin	Cable material	Color	Part number-xxx	Order code
	PUR (Flexible cable)	Black	FCC M415-0000-1A-008-PH0434-xxx	64S161 -xxx
	PVC (Fixed installation)	Grey	FCC M415-0000-1A-008-VX8434-xxx	64S163 -xxx

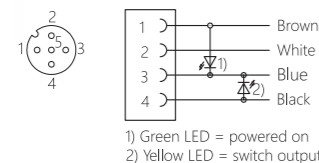


1) Green LED = powered on
2) Yellow LED = switch output

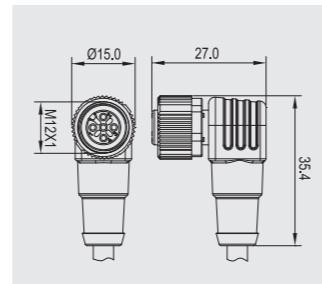


M12 right angle female, with LED

4-pin	Cable material	Color	Part number-xxx	Order code
	PUR (Flexible cable)	Black	FCC M425-0000-1A-008-PH0434-xxx	64S221 -xxx
	PVC (Fixed installation)	Grey	FCC M425-0000-1A-008-VX8434-xxx	64S223 -xxx



1) Green LED = powered on
2) Yellow LED = switch output



CE RoHS compliant Remarks: xxx=cable length, can be customized when ordering, the cable length is incremented by 0.5m, for example: 005=0.5m, 010=1m, 015=1.5m

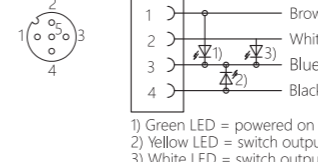
Technical parameter

4 Pin	
Max. supply voltage AC U _B	/
Max. supply voltage DC U _B	30V
Cable	Casting
Number of conductors x conductor cross-section	4x0,34 mm ²
Degree of protection as per IEC 60529	IP 67
Ambient temperature T _a	-25...+80°C

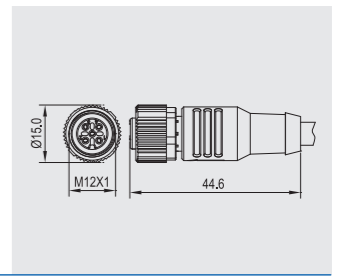
Plug connector M12 straight or right-angle female, 4-pin, with LED

M12 straight female, with LED

4-pin	Cable material	Color	Part number-xxx	Order code
	PUR (Flexible cable)	Black	FCC M415-0000-1A-010-PH0434-xxx	64S181 -xxx
	PVC (Fixed installation)	Grey	FCC M415-0000-1A-010-VX8434-xxx	64S183 -xxx

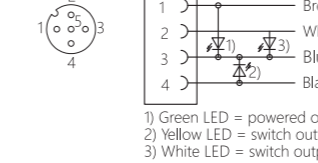


1) Green LED = powered on
2) Yellow LED = switch output
3) White LED = switch output

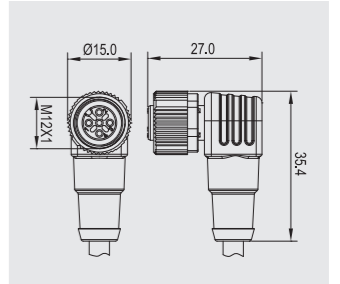


M12 right angle female, with LED

4-pin	Cable material	Color	Part number-xxx	Order code
	PUR (Flexible cable)	Black	FCC M425-0000-1A-010-PH0434-xxx	64S241 -xxx
	PVC (Fixed installation)	Grey	FCC M425-0000-1A-010-VX8434-xxx	64S243 -xxx



1) Green LED = powered on
2) Yellow LED = switch output
3) White LED = switch output



CE RoHS compliant Remarks: xxx=cable length, can be customized when ordering, the cable length is incremented by 0.5m, for example: 005=0.5m, 010=1m, 015=1.5m


Technical parameter

4 Pin	
Max. supply voltage AC U _B	/
Max. supply voltage DC U _B	30V
Cable	Casting
Number of conductors x conductor cross-section	4x0,34 mm ²
Degree of protection as per IEC 60529	IP 67
Ambient temperature T _a	-25...+80°C

Plug connector

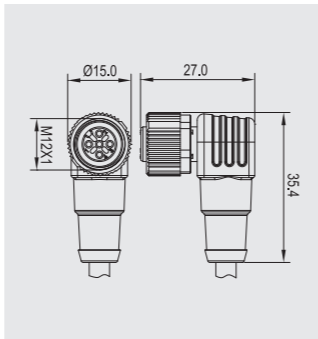
M12 straight or right angle female, 5-pin, with LED

M12 right angle female, with LED

5-pin	Cable material	Color	Part number-xxx	Order code
	PUR(Flexible cable)Pin 5 gray	Black	FCC M425-0000-1A-014-PH0534-xxx	64S301 -xxx
	PUR(Flexible cable)Pin 5 yellow green	Grey	FCC M425-0000-1A-016-PH0534YG-xxx	64S309 -xxx
	PVC(Fixed installation)Pin 5 gray	Grey	FCC M425-0000-1A-014-VX8534-xxx	64S303 -xxx

1	Brown
2	White
3	Blue
4	Black
5	Gray or yellow-green

1) Green LED = powered on
 2) Yellow LED = switch output
 3) White LED = switch output



RoHS compliant Remarks: xxx=cable length, can be customized when ordering, the cable length is incremented by 0.5m, for example: 005=0.5m, 010=1m, 015=1.5m

Technical parameter

5 Pin	
Max. supply voltage AC U _b	/
Max. supply voltage DC U _b	30V
Cable	Casting
Number of conductors x conductor cross-section	5x0.34 mm ²
Degree of protection as per IEC 60529	IP 67
Ambient temperature T _a	-25...+80°C

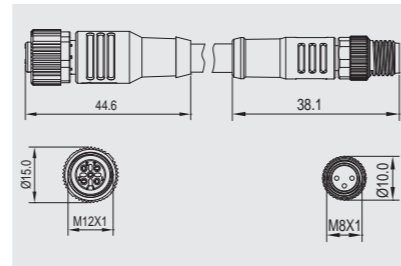
M12↔M8

Connecting cables

M12 straight or right angle female↔M8 straight male, 3-pin, 4-pin, no LED

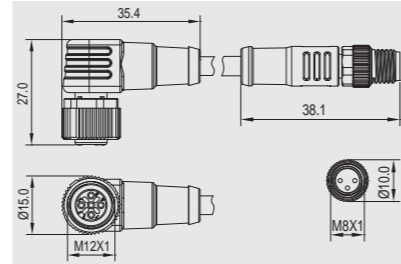
M12 straight female↔M8 straight male

3-pin	Cable material	Color	Part number-xxx	Order code
	PUR (Flexible cable)	Black	FCC M415-M313-30-001-PH0325-xxx	64D001-xxx
	PVC (Fixed installation)	Grey	FCC M415-M313-30-001-VX8325-xxx	64D003-xxx
Pin layout and wiring diagram				
<p>Used when shielding</p>				



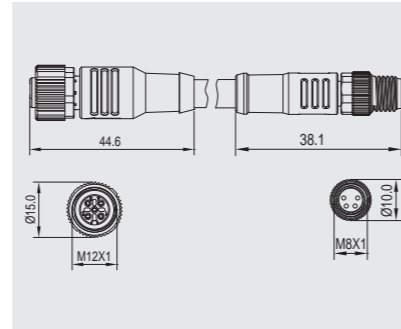
M12 right angle female↔M8 straight male

3-pin	Cable material	Color	Part number-xxx	Order code
	PUR (Flexible cable)	Black	FCC M425-M313-30-001-PH0325-xxx	64D021-xxx
	PVC (Fixed installation)	Grey	FCC M425-M313-30-001-VX8325-xxx	64D023-xxx
Pin layout and wiring diagram				
<p>Used when shielding</p>				



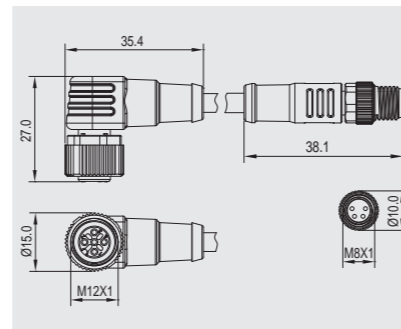
M12 straight female↔M8 straight male

4-pin	Cable material	Color	Part number-xxx	Order code
	PUR (Flexible cable)	Black	FCC M415-M314-30-006-PH0425-xxx	64D061-xxx
	PVC (Fixed installation)	Grey	FCC M415-M314-30-006-VX8425-xxx	64D063-xxx
Pin layout and wiring diagram				
<p>Used when shielding</p>				



M12 right angle female↔M8 straight male

4-pin	Cable material	Color	Part number-xxx	Order code
	PUR (Flexible cable)	Black	FCC M425-M314-30-006-PH0425-xxx	64D081-xxx
	PVC (Fixed installation)	Grey	FCC M425-M314-30-006-VX8425-xxx	64D083-xxx
Pin layout and wiring diagram				
<p>Used when shielding</p>				



CE RoHS compliant Remarks: xxx=cable length, can be customized when ordering, the cable length is incremented by 0.5m, for example: 005=0.5m, 010=1m, 015=1.5m

Technical parameter

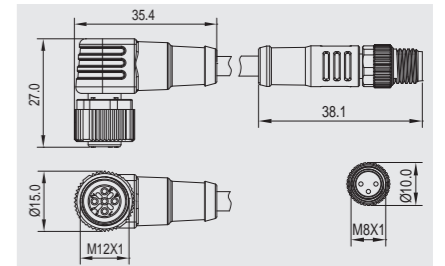
	3 Pin	4 Pin
Max. supply voltage AC U _B	60V AC	30V AC
Max. supply voltage DC U _B	60V DC	30V DC
Cable	Casting	Casting
Number of conductors x conductor cross-section	3×0.25 mm ²	4×0.25 mm ²
Degree of protection as per IEC 60529	IP 67	IP 67
Ambient temperature T _a	-25...+80°C	-25...+80°C

Connecting cables

M12 right angle female↔M8 straight male, with LED

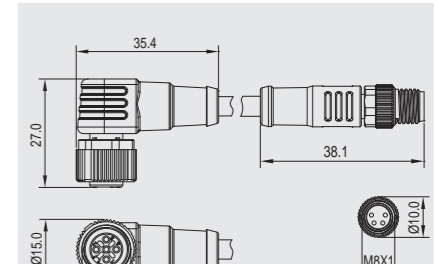
M12 right angle female,with LED↔M8 straight male

3-pin	Cable material	Color	Part number-xxx	Order code
	PUR (Flexible cable)	Black	FCC M425-M313-30-004-PH0325-xxx	64D041-xxx
	PVC (Fixed installation)	Grey	FCC M425-M313-30-004-VX8325-xxx	64D043-xxx
Pin layout and wiring diagram				
<p>1) Green LED = powered on 2) Yellow LED = switch output</p>				



M12 right angle female,with LED↔M8 straight male

4-pin	Cable material	Color	Part number-xxx	Order code
	PUR (Flexible cable)	Black	FCC M425-M314-30-008-PH0425-xxx	64D101-xxx
	PVC (Fixed installation)	Grey	FCC M425-M314-30-008-VX8425-xxx	64D103-xxx
Pin layout and wiring diagram				
<p>1) Green LED = powered on 2) Yellow LED = switch output</p>				



CE RoHS compliant Remarks: xxx=cable length, can be customized when ordering, the cable length is incremented by 0.5m, for example: 005=0.5m, 010=1m, 015=1.5m

Technical parameter

	3 Pin	4 Pin
Max. supply voltage AC U _B	/	/
Max. supply voltage DC U _B	30V DC	30V DC
Cable	Casting	Casting
Number of conductors x conductor cross-section	3×0.25 mm ²	4×0.25 mm ²
Degree of protection as per IEC 60529	IP 67	IP 67
Ambient temperature T _a	-25...+80°C	-25...+80°C

Connecting cables

M12 straight or right angle female ↔ M12 straight male, no LED

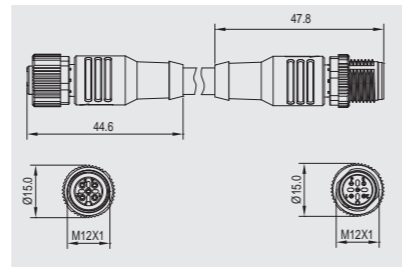
M12 ↔ M12

Connecting cables

M12 straight or right angle female ↔ M12 straight male, no LED

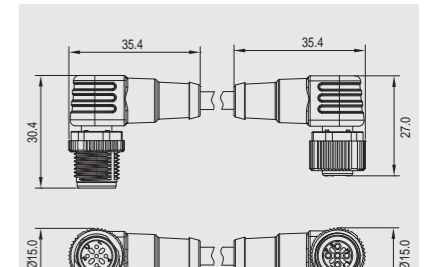
M12 straight female ↔ M12 straight male

3-pin	Cable material	Color	Part number-xxx	Order code
	PUR (Flexible cable)	Black	FCC M415-M413-30-001-PH0334-xxx	64D121 -xxx
	PVC (Fixed installation)	Grey	FCC M415-M413-30-001-VX8334-xxx	64D123 -xxx
Pin layout and wiring diagram				
<p>Used when shielding</p>				



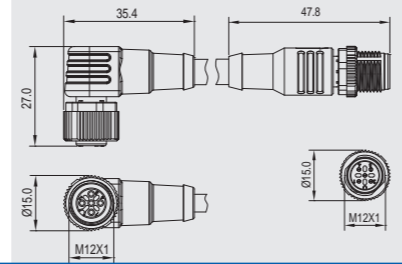
M12 right angle female ↔ M12 right angle male

4-pin	Cable material	Color	Part number-xxx	Order code
	PUR (Flexible cable)	Black	FCC M425-M424-30-006-PH0434-xxx	64D461 -xxx
	PUR shield (Flexible cable)	Black	FCC M425-M424-30-006-PS0434-xxx	64D465 -xxx
	PVC (Fixed installation)	Grey	FCC M425-M424-30-006-VX8434-xxx	64D463 -xxx
	PVC shield (Fixed installation)	Grey	FCC M425-M424-30-006-VS8434-xxx	64D467 -xxx
Pin layout and wiring diagram				
<p>Used when shielding</p>				



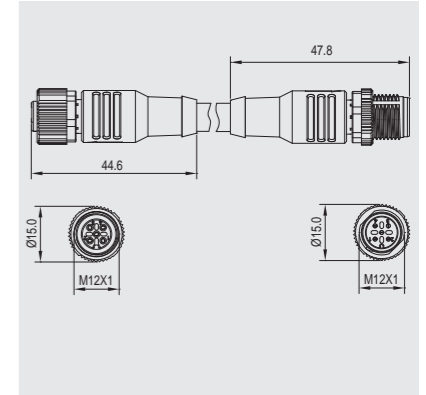
M12 right angle female ↔ M12 straight male

3-pin	Cable material	Color	Part number-xxx	Order code
	PUR (Flexible cable)	Black	FCC M425-M413-30-001-PH0334-xxx	64D141 -xxx
	PVC (Fixed installation)	Grey	FCC M425-M413-30-001-VX8334-xxx	64D143 -xxx
Pin layout and wiring diagram				
<p>Used when shielding</p>				



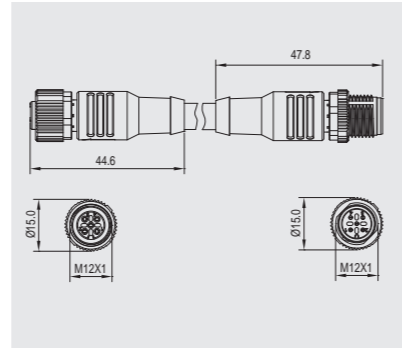
M12 straight female ↔ M12 straight male

5-pin	Cable material	Color	Part number-xxx	Order code
	PUR (Flexible cable)	Black	FCC M415-M415-30-006-PH0534-xxx	64D281 -xxx
	PUR shield (Flexible cable)	Black	FCC M415-M415-30-006-PS0534-xxx	64D285 -xxx
	PVC (Fixed installation)	Grey	FCC M415-M415-30-006-VX8534-xxx	64D283 -xxx
	PVC shield (Fixed installation)	Grey	FCC M415-M415-30-006-VS8534-xxx	64D287 -xxx
Pin layout and wiring diagram				
<p>Used when shielding</p>				



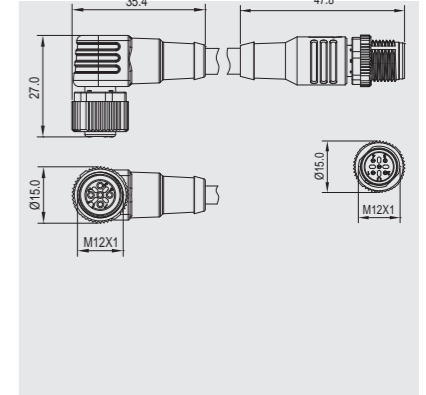
M12 straight female ↔ M12 straight male

4-pin	Cable material	Color	Part number-xxx	Order code
	PUR (Flexible cable)	Black	FCC M415-M414-30-006-PH0434-xxx	64D181 -xxx
	PUR shield (Flexible cable)	Black	FCC M415-M414-30-006-PS0434-xxx	64D185 -xxx
	PVC (Fixed installation)	Grey	FCC M415-M414-30-006-VX8434-xxx	64D183 -xxx
	PVC shield (Fixed installation)	Grey	FCC M415-M414-30-006-VS8434-xxx	64D187 -xxx
Pin layout and wiring diagram				
<p>Used when shielding</p>				



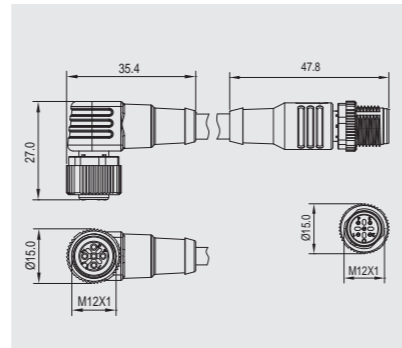
M12 right angle female ↔ M12 straight male

5-pin	Cable material	Color	Part number-xxx	Order code
	PUR (Flexible cable)	Black	FCC M425-M415-30-006-PH0534-xxx	64D301 -xxx
	PUR shield (Flexible cable)	Black	FCC M425-M415-30-006-PS0534-xxx	64D305 -xxx
	PVC (Fixed installation)	Grey	FCC M425-M415-30-006-VX8534-xxx	64D323 -xxx
	PVC shield (Fixed installation)	Grey	FCC M425-M415-30-006-VS8534-xxx	64D327 -xxx
Pin layout and wiring diagram				
<p>Used when shielding</p>				



M12 right angle female ↔ M12 straight male

4-pin	Cable material	Color	Part number-xxx	Order code
	PUR (Flexible cable)	Black	FCC M425-M414-30-006-PH0434-xxx	64D221 -xxx
	PUR shield (Flexible cable)	Black	FCC M425-M414-30-006-PS0434-xxx	64D225 -xxx
	PVC (Fixed installation)	Grey	FCC M425-M414-30-006-VX8434-xxx	64D223 -xxx
	PVC shield (Fixed installation)	Grey	FCC M425-M414-30-006-VS8434-xxx	64D227 -xxx
Pin layout and wiring diagram				
<p>Used when shielding</p>				



Remarks: xxx=cable length, can be customized when ordering, the cable length is incremented by 0.5m, for example: 005=0.5m, 010=1m, 015=1.5m



Remarks: xxx=cable length, can be customized when ordering, the cable length is incremented by 0.5m, for example: 005=0.5m, 010=1m, 015=1.5m

Technical parameter

	3 Pin	4 Pin
Max. supply voltage AC U _B	250V AC	250V AC
Max. supply voltage DC U _B	250V DC	250V DC
Cable	Casting	Casting
Number of conductors x conductor cross-section	3×0.34 mm ²	4×0.34 mm ²
Degree of protection as per IEC 60529	IP 67	IP 67
Ambient temperature T _a	-25...+80°C	-25...+80°C

Technical parameter

	4 Pin	5 Pin
Max. supply voltage AC U _B	250V AC	125V AC
Max. supply voltage DC U _B	250V DC	125V DC
Cable	Casting	Casting
Number of conductors x conductor cross-section	4×0.34 mm ²	5×0.34 mm ²
Degree of protection as per IEC 60529	IP 67	IP 67
Ambient temperature T _a	-25...+80°C	-25...+80°C

Connecting cables

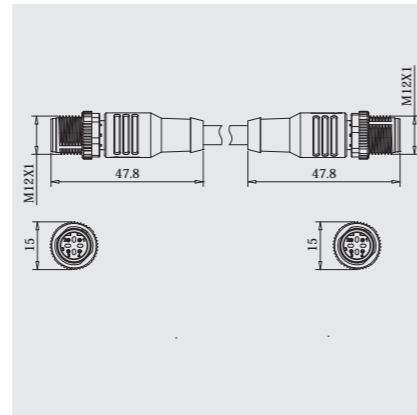
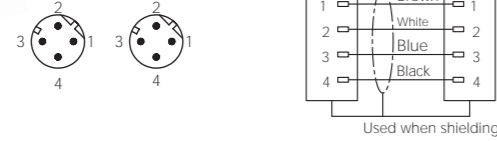
M12 straight double-ended male plug, D-code, double-ended female plug D-code

M12 ↔ M12

M12 straight male ↔ M12 straight male

D-code, 4-pin	Cable material	Color	Part number-xxx	Order code
	PUR (Flexible cable)	Black	FCC M414-M414-3D-006-PH0450-xxx	64DD21-xxx
	PVC (Fixed installation)	Grey	FCC M414-M414-3D-006-VX8450-xxx	64DD23-xxx
	PUR shield (Flexible cable)	Black	FCC M414-M414-3D-006-PS0450-xxx	64DD25-xxx
	PVC shield (Fixed installation)	Grey	FCC M414-M414-3D-006-VS8450-xxx	64DD27-xxx

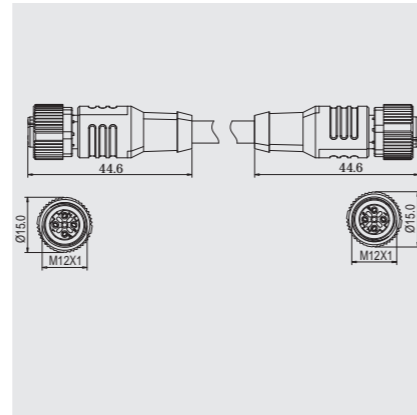
Pin layout and wiring diagram



M12 straight female ↔ M12 straight female

D-code, 4-pin	Cable material	Color	Part number-xxx	Order code
	PUR (Flexible cable)	Black	FCC M414-M414-4D-006-PH0450-xxx	64DD61-xxx
	PVC (Fixed installation)	Grey	FCC M414-M414-4D-006-VX8450-xxx	64DD63-xxx
	PUR shield (Flexible cable)	Black	FCC M414-M414-4D-006-PS0450-xxx	64DD65-xxx
	PVC shield (Fixed installation)	Grey	FCC M414-M414-4D-006-VS8450-xxx	64DD67-xxx

Pin layout and wiring diagram



RoHS compliant Remarks: xxx=cable length, can be customized when ordering, the cable length is incremented by 0.5m, for example: 005=0.5m, 010=1m, 015=1.5m

Technical parameter

Max. supply voltage AC U _B	250V AC
Max. supply voltage DC U _B	250V DC
Cable	Casting
Number of conductors x conductor cross-section	4×0.5 mm ²
Degree of protection as per IEC 60529	IP 67
Ambient temperature T _a	-25...+80°C

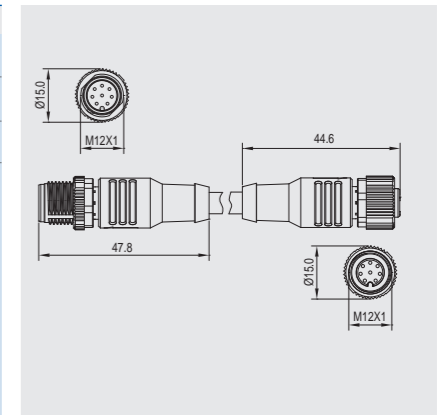
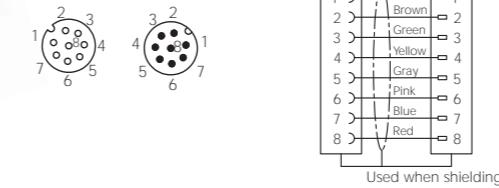
Connecting cables

M12 straight double-ended male and female plug 8 Pin, 12-pin

M12 straight female ↔ M12 straight male

8-pin	Cable material	Color	Part number-xxx	Order code
	PUR (Flexible cable)	Black	FCC M418-M418-30-000-PH0825-xxx	64D381-xxx
	PUR shield (Flexible cable)	Black	FCC M418-M418-30-000-PS0825-xxx	64D385-xxx
	PVC (Fixed installation)	Grey	FCC M418-M418-30-000-VX8825-xxx	64D383-xxx

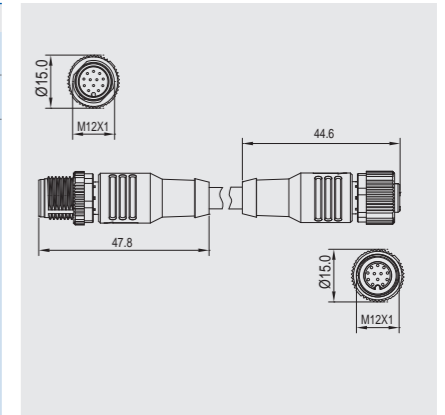
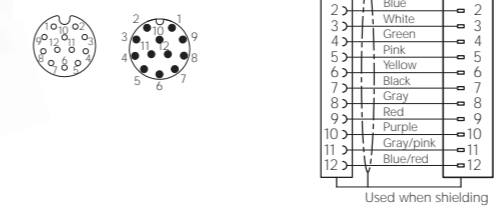
Pin layout and wiring diagram



M12 straight female ↔ M12 straight male

12-pin	Cable material	Color	Part number-xxx	Order code
	PUR (Flexible cable)	Black	FCC M41C-M41C-30-000-PH0C14-xxx	64DA12-xxx
	PUR shield (Flexible cable)	Black	FCC M41C-M41C-30-000-PS0C14-xxx	64DA15-xxx

Pin layout and wiring diagram



RoHS compliant Remarks: xxx=cable length, can be customized when ordering, the cable length is incremented by 0.5m, for example: 005=0.5m, 010=1m, 015=1.5m


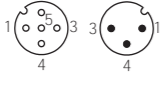
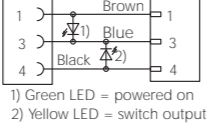
Technical parameter

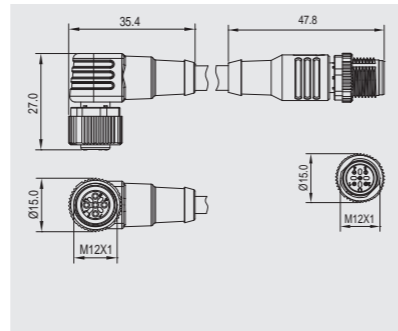
	8 Pin	12 Pin
Max. supply voltage AC U _B	60V AC	30V AC
Max. supply voltage DC U _B	60V DC	30V DC
Cable	Casting	Casting
Number of conductors x conductor cross-section	8×0.25 mm ²	12×0.14 mm ²
Degree of protection as per IEC 60529	IP 67	IP 67
Ambient temperature T _a	-25...+80°C	-25...+80°C

Connecting cables


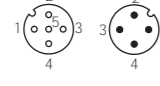
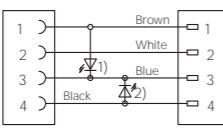
M12 right angle female ↔ M12 straight male, 3-pin, 4-pin, with LED

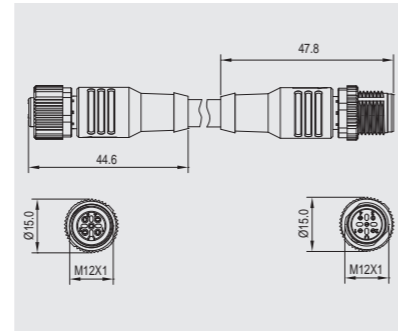
M12 right angle female, with LED ↔ M12 straight male

3-pin	Cable material	Color	Part number-xxx	Order code
	PUR (Flexible cable)	Black	FCC M425-M413-30-004-PH0334-xxx	64D161-xxx
	PVC (Fixed installation)	Grey	FCC M425-M413-30-004-VX8334-xxx	64D163-xxx
Pin layout and wiring diagram				
		1) Green LED = powered on 2) Yellow LED = switch output		


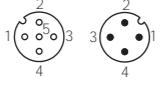
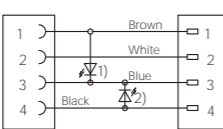


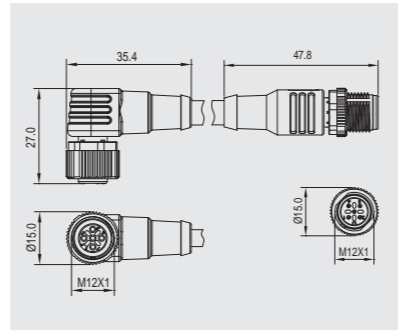
M12 straight female, with LED ↔ M12 straight male

4-pin	Cable material	Color	Part number-xxx	Order code
	PUR (Flexible cable)	Black	FCC M415-M414-30-008-PH0434-xxx	64D201-xxx
	PVC (Fixed installation)	Grey	FCC M415-M414-30-008-VX8434-xxx	64D203-xxx
Pin layout and wiring diagram				
		1) Green LED = powered on 2) Yellow LED = switch output		



M12 right angle female, with LED ↔ M12 straight male

4-pin	Cable material	Color	Part number-xxx	Order code
	PUR (Flexible cable)	Black	FCC M425-M414-30-008-PH0434-xxx	64D241-xxx
	PVC (Fixed installation)	Grey	FCC M425-M414-30-008-VX8434-xxx	64D243-xxx
Pin layout and wiring diagram				
		1) Green LED = powered on 2) Yellow LED = switch output		



CE RoHS compliant Remarks: xxx=cable length, can be customized when ordering, the cable length is incremented by 0.5m, for example: 005=0.5m, 010=1m, 015=1.5m


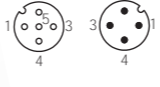
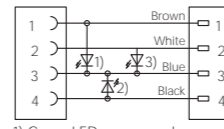
Technical parameter

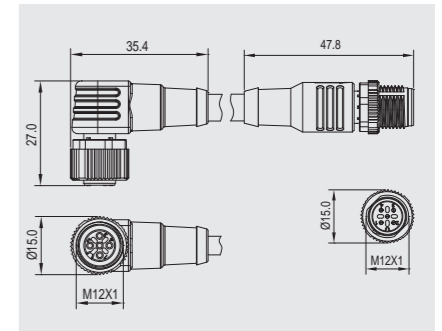
	3 Pin	4 Pin
Max. supply voltage AC U _B	30V AC	30V AC
Max. supply voltage DC U _B	30V DC	30V DC
Cable	Casting	Casting
Number of conductors x conductor cross-section	3×0.34 mm ²	4×0.34 mm ²
Degree of protection as per IEC 60529	IP 67	IP 67
Ambient temperature T _a	-25...+80°C	-25...+80°C

Connecting cables


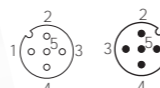
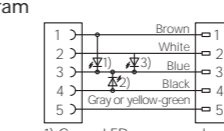
M12 right angle female ↔ M12 straight male, 4-pin, 5-pin, with LED

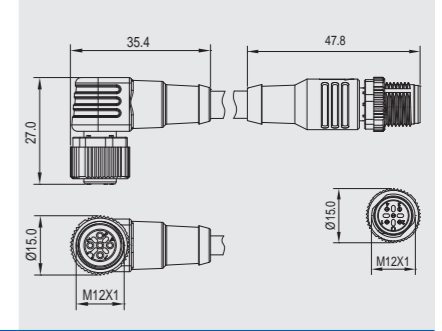
M12 right angle female, with LED ↔ M12 straight male

4-pin	Cable material	Color	Part number-xxx	Order code
	PUR (Flexible cable)	Black	FCC M425-M414-30-010-PH0434-xxx	64D261-xxx
	PVC (Fixed installation)	Grey	FCC M425-M414-30-010-VX8434-xxx	64D263-xxx
Pin layout and wiring diagram				
		1) Green LED = powered on 2) Yellow LED = switch output 3) White LED = switch output		



M12 right angle female, with LED ↔ M12 straight male

5-pin	Cable material	Color	Part number-xxx	Order code
	PUR (Flexible cable)	Black	FCC M425-M415-30-014-PH0534-xxx	64D341-xxx
	PVC (Fixed installation)	Grey	FCC M425-M415-30-014-VX8534-xxx	64D363-xxx
Pin layout and wiring diagram				
		1) Green LED = powered on 2) Yellow LED = switch output 3) White LED = switch output		



CE RoHS compliant Remarks: xxx=cable length, can be customized when ordering, the cable length is incremented by 0.5m, for example: 005=0.5m, 010=1m, 015=1.5m

Technical parameter

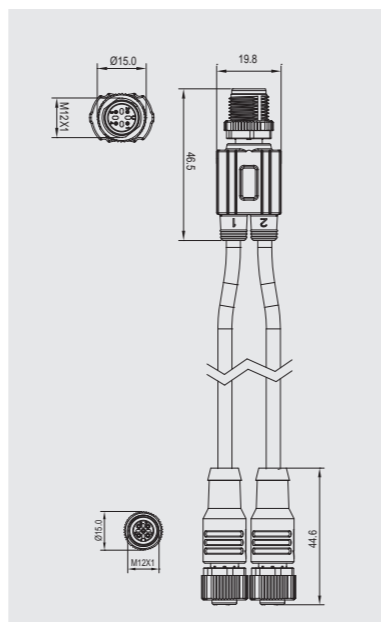
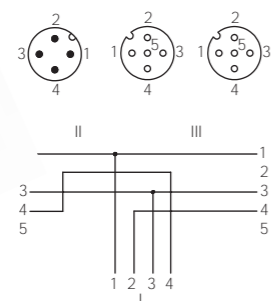
	4 Pin	5 Pin
Max. supply voltage AC U _B	30V AC	30V AC
Max. supply voltage DC U _B	30V DC	30V DC
Cable	Casting	Casting
Number of conductors x conductor cross-section	4×0.34 mm ²	5×0.34 mm ²
Degree of protection as per IEC 60529	IP 67	IP 67
Ambient temperature T _a	-25...+80°C	-25...+80°C

Connecting cables
M12 Y-type plug connector

2xM12 straight female/M12

4-pin	Cable material	Color	Part number-xxx	Order code
	PUR (Flexible cable)	Black	FCC M414-M415-M415-Y22-PH0334-xxx	64D401-xxx
	PVC (Fixed installation)	Grey	FCC M414-M415-M415-Y22-VX8334-xxx	64D403-xxx

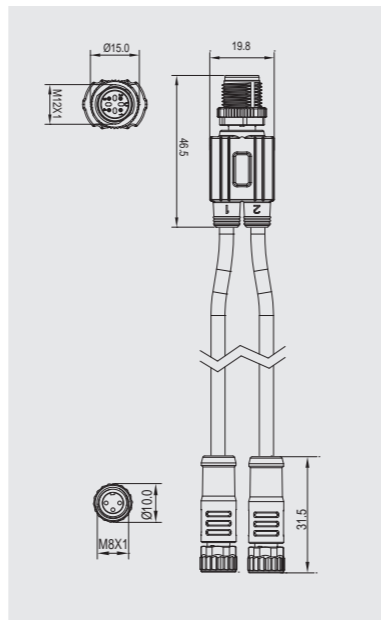
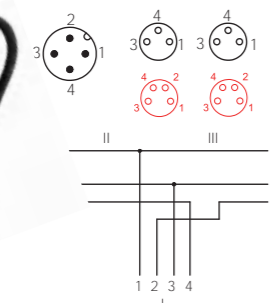
Pin layout and wiring diagram



2xM8 straight female/M12

4-pin,3-pin	Cable material	Color	Part number-xxx	Order code
	PUR (Flexible cable)	Black	FCC M414-M313-M313-Y22-PH0325-xxx	64D421-xxx
	PVC (Fixed installation)	Grey	FCC M414-M313-M313-Y22-VX8325-xxx	64D423-xxx
	PVC (M12,4-pin-2M8,4-pin)	Grey	FCC M414-M314-M314-Y22-VX8325-xxx	64D427-xxx

Pin layout and wiring diagram

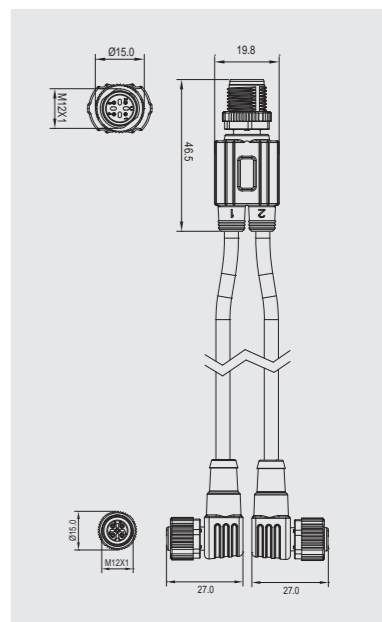
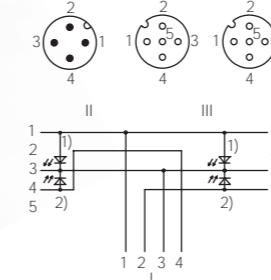


Connecting cables
M12 Y-type plug connector

2xM12 right angle type/M12

4-pin	Cable material	Color	Part number-xxx	Order code
	PUR (Flexible cable)	Black	FCC M414-M425-M425-Y26-PH0334-xxx	64D441-xxx
	PVC (Fixed installation)	Grey	FCC M414-M425-M425-Y26-VX8334-xxx	64D443-xxx

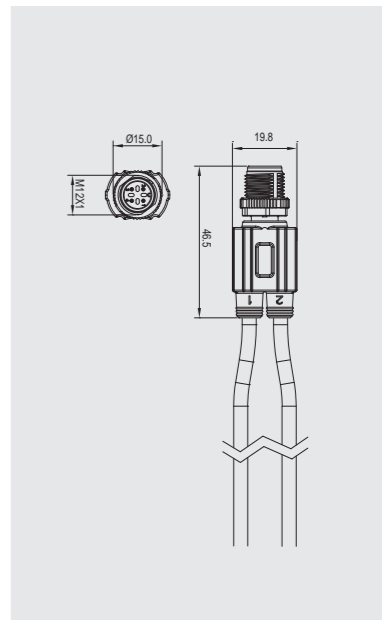
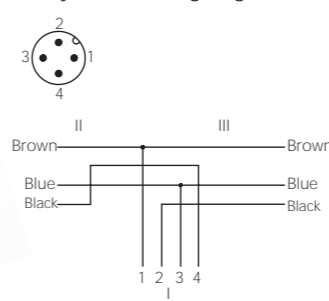
Pin layout and wiring diagram



2xFree end/M12

4-pin	Cable material	Color	Part number-xxx	Order code
	PUR (Flexible cable)	Black	FCC M414-0000-0000-Y22-PH0334-xxx	64SY01-xxx
	PVC (Fixed installation)	Grey	FCC M414-0000-0000-Y22-VX8334-xxx	64SY03-xxx

Pin layout and wiring diagram



RoHS compliant Remarks: xxx=cable length, can be customized when ordering, the cable length is incremented by 0.5m, for example: 005=0.5m, 010=1m, 015=1.5m

RoHS compliant Remarks: xxx=cable length, can be customized when ordering, the cable length is incremented by 0.5m, for example: 005=0.5m, 010=1m, 015=1.5m

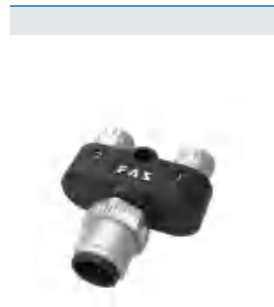
Technical parameter

Type	2xM12 straight/M12	2xM8 straight/M12
Max. supply voltage AC U _B	250V AC	60V AC
Max. supply voltage DC U _B	250V DC	60V DC
Cable	Casting	Casting
Number of conductors x conductor cross-section	3x0.34 mm ²	3x0.25 mm ²
Degree of protection as per IEC 60529	IP 67	IP 67
Ambient temperature T _a	-25...+80°C	-25...+80°C

Technical parameter

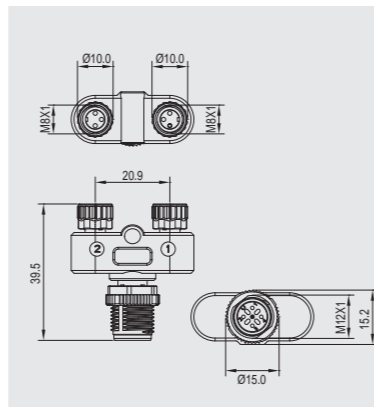
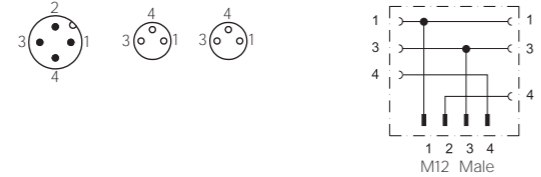
Type	2xM12 right angle type/M12	2xFree end/M12
Max. supply voltage AC U _B	/	250V AC
Max. supply voltage DC U _B	30V DC	250V DC
Cable	Casting	Casting
Number of conductors x conductor cross-section	3x0.34 mm ²	3x0.34mm ²
Degree of protection as per IEC 60529	IP 67	IP 67
Ambient temperature T _a	-25...+80°C	-25...+80°C

Plug connector
M12 Y-type plug connector



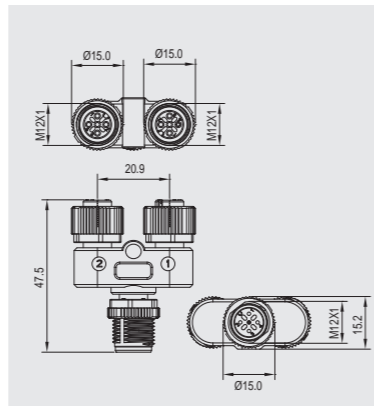
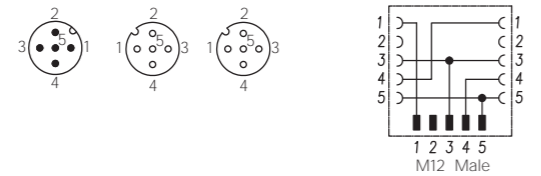
Order code	643301
Part number	FCC M414-M313-M313-Y22
Rated working voltage U _B	60V
Rated operating current I _e	4A
Degree of protection as per IEC 60529	IP 67
Ambient temperature T _a	-25...+85°C
Housing material	TPU

Pin layout and wiring diagram



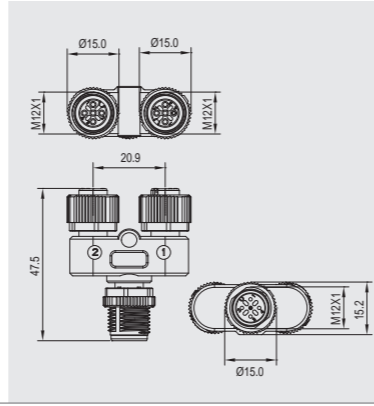
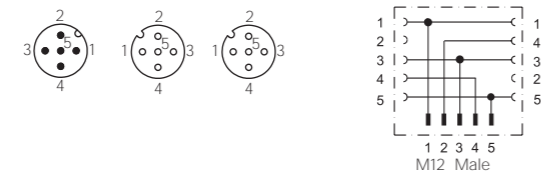
Order code	644331
Part number	FCC M414-M415-M415-Y35
Rated working voltage U _B	125 V
Rated operating current I _e	4A
Degree of protection as per IEC 60529	IP 67
Ambient temperature T _a	-25...+85°C
Housing material	TPU

Pin layout and wiring diagram



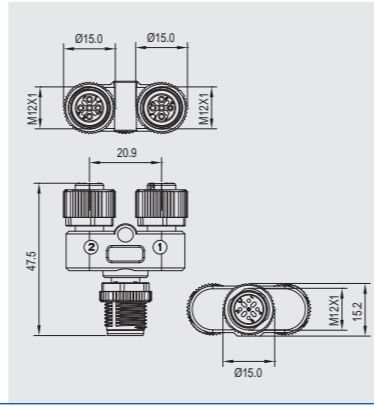
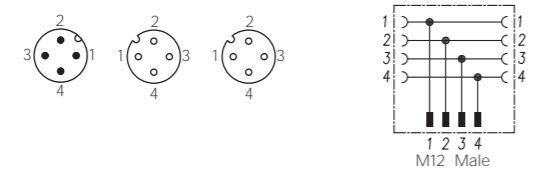
Order code	644441
Part number	FCC M415-M415-M415-Y24
Rated working voltage U _B	125 V
Rated operating current I _e	4A
Degree of protection as per IEC 60529	IP 67
Ambient temperature T _a	-25...+85°C
Housing material	TPU

Pin layout and wiring diagram

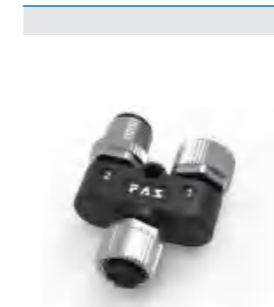


Order code	644442
Part number	FCC M414-M414-M414-Y34
Rated working voltage U _B	250V
Rated operating current I _e	4A
Degree of protection as per IEC 60529	IP 67
Ambient temperature T _a	-25...+85°C
Housing material	TPU

Pin layout and wiring diagram

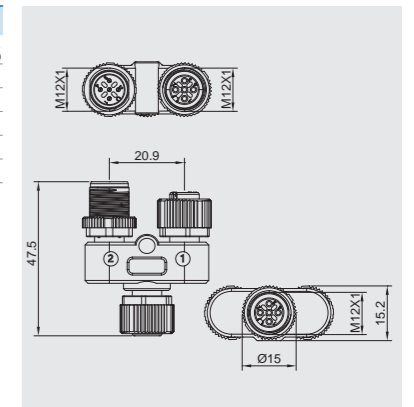
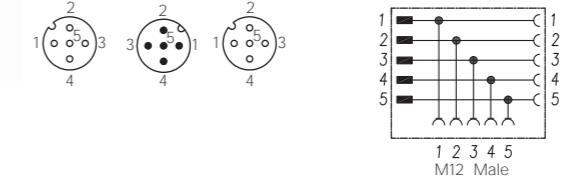


Plug connector
Tee connector M12↔M8, M12↔M12



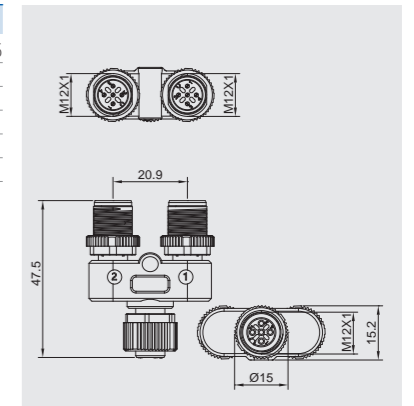
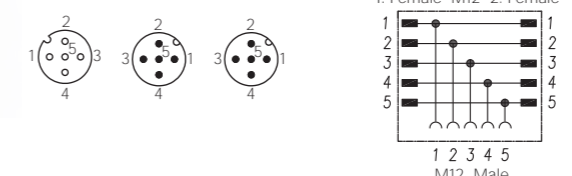
Order code	644443
Part number	FCC M415-M415-M415-T55
Rated working voltage U _B	125 V
Rated operating current I _e	4A
Degree of protection as per IEC 60529	IP 67
Ambient temperature T _a	-25...+85°C
Housing material	TPU

Pin layout and wiring diagram



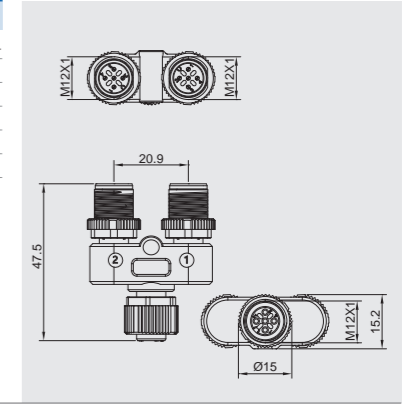
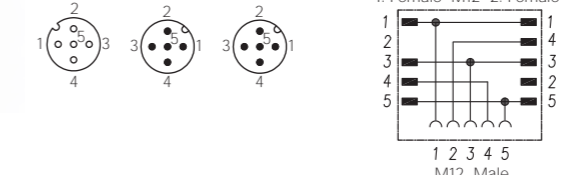
Order code	644456
Part number	FCC M415-M415-M415-Y45
Rated working voltage U _B	125 V
Rated operating current I _e	4A
Degree of protection as per IEC 60529	IP 67
Ambient temperature T _a	-25...+85°C
Housing material	TPU

Pin layout and wiring diagram



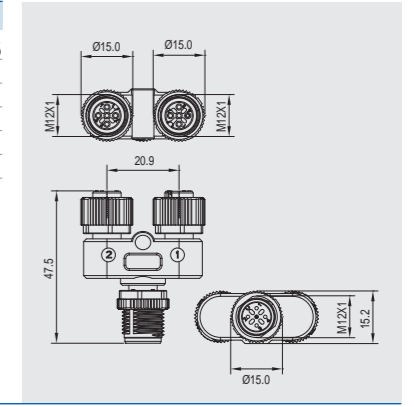
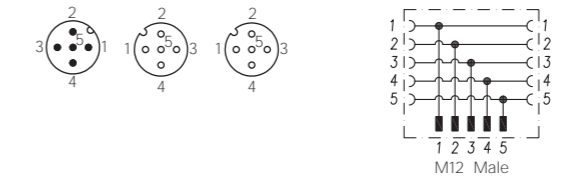
Order code	644446
Part number	FCC M415-M415-M415-Y54
Rated working voltage U _B	125 V
Rated operating current I _e	4A
Degree of protection as per IEC 60529	IP 67
Ambient temperature T _a	-25...+85°C
Housing material	TPU

Pin layout and wiring diagram



Order code	645551
Part number	FCC M415-M415-M415-Y55
Rated working voltage U _B	125 V
Rated operating current I _e	4A
Degree of protection as per IEC 60529	IP 67
Ambient temperature T _a	-25...+85°C
Housing material	TPU

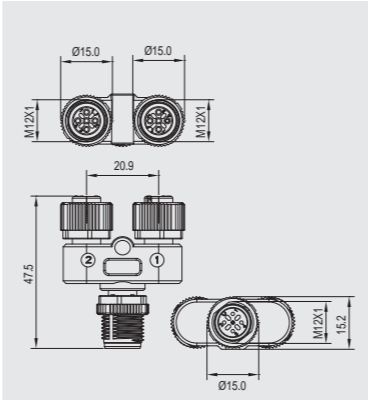
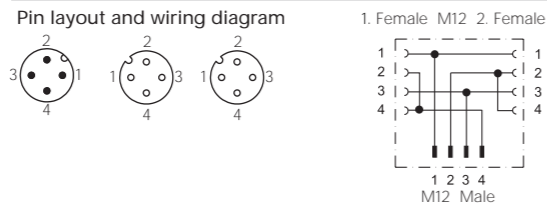
Pin layout and wiring diagram



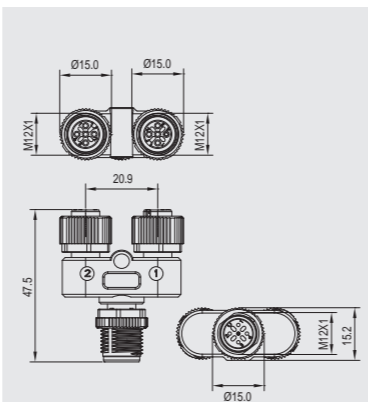
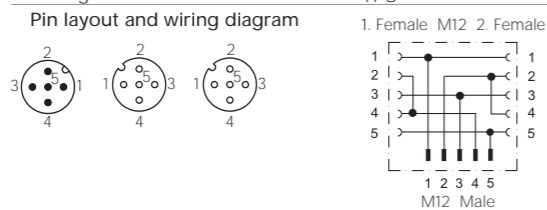
Plug connector
M12 Y-type plug connector



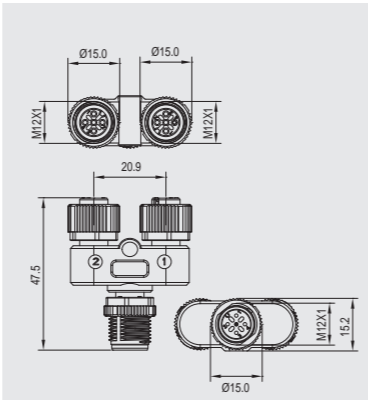
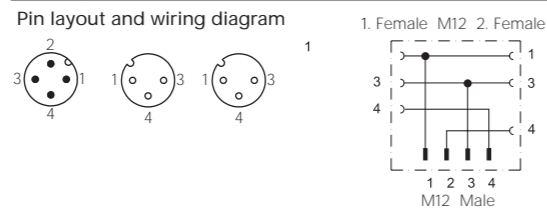
Order code	644461
Part number	FCC M415-M415-M415-Y23
Rated working voltage U _B	250 V
Rated operating current I _e	4A
Degree of protection as per IEC 60529	IP 67
Ambient temperature T _a	-25...+85°C
Housing material	TPU



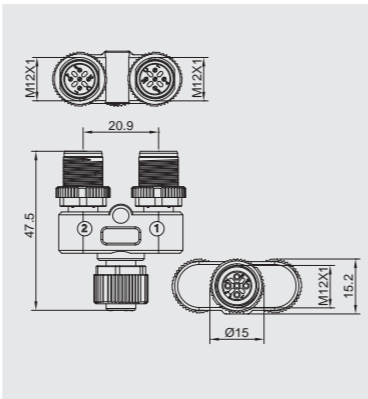
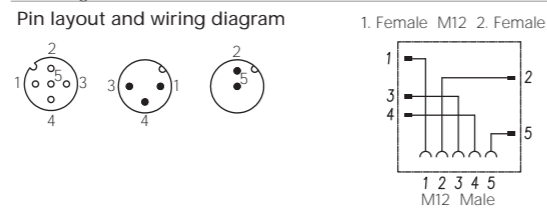
Order code	644481
Part number	FCC M415-M415-M415-Y28
Rated working voltage U _B	125 V
Rated operating current I _e	4A
Degree of protection as per IEC 60529	IP 67
Ambient temperature T _a	-25...+85°C
Housing material	TPU



Order code	644491
Part number	FCC M414-M414-M414-Y22
Rated working voltage U _B	250 V
Rated operating current I _e	4A
Degree of protection as per IEC 60529	IP 67
Ambient temperature T _a	-25...+85°C
Housing material	TPU



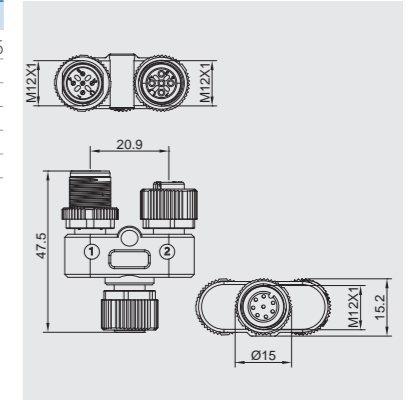
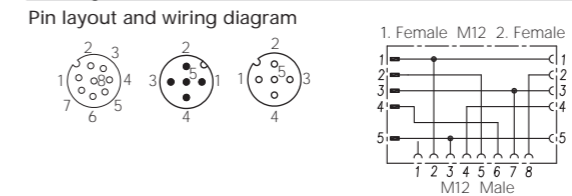
Order code	645231
Part number	FCC M415-M412-M413-Y52
Rated working voltage U _B	125 V
Rated operating current I _e	4A
Degree of protection as per IEC 60529	IP 67
Ambient temperature T _a	-25...+85°C
Housing material	TPU



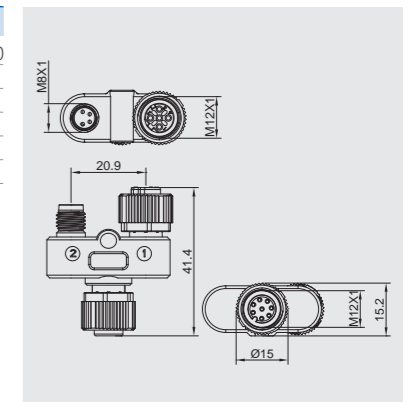
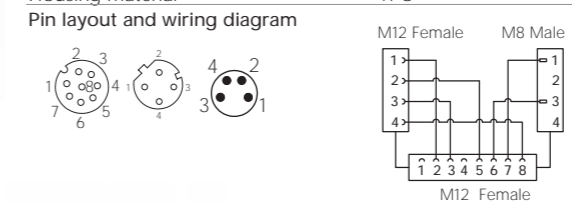
Plug connector
Tee connector M12↔M8, M12↔M12



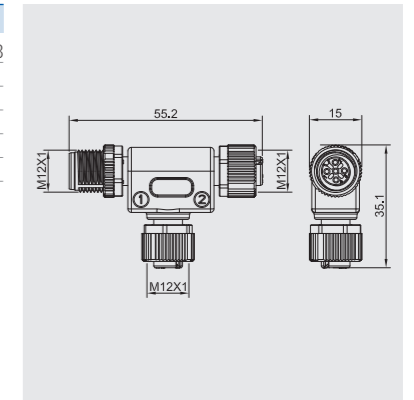
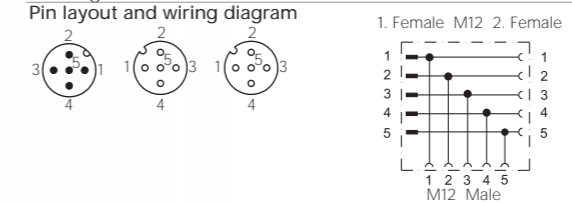
Order code	648551
Part number	FCC M418-M415-M415-Y85
Rated working voltage U _B	60 V
Rated operating current I _e	2A
Degree of protection as per IEC 60529	IP 67
Ambient temperature T _a	-25...+85°C
Housing material	TPU



Order code	648D41
Part number	FCC M418-M415-M314-Y00
Rated working voltage U _B	30 V
Rated operating current I _e	2A
Degree of protection as per IEC 60529	IP 67
Ambient temperature T _a	-25...+85°C
Housing material	TPU



Order code	0C4555
Part number	FCC M415-M415-M415-T28
Rated working voltage U _B	30 V
Rated operating current I _e	2A
Degree of protection as per IEC 60529	IP 67
Ambient temperature T _a	-25...+85°C
Housing material	TPU



Plug connector

M8 straight female, male, 3-pin, without LED, can be used at temperatures up to 120°C

120°C
High Temperature

Connector FCC withstands temperatures up to 120°C

The durable FCC plug connector with IP67 protection class is ideally suited for industrial automation

Wiring and quick connection of sensors/actuators in chemical fields. new product package

Includes types for high-temperature applications up to 120°C, e.g. connecting


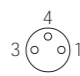
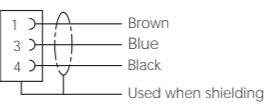
Connect to high temperature resistant sensor.

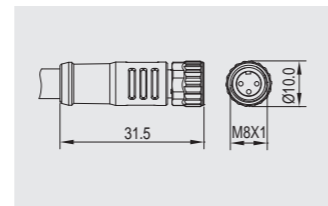
- Temperature range -25...+120 °C
- Protection class IP 67
- Flame retardant
- Straight and right angle
- 3 pins, 4 pins
- Notches are easy to find on the handle body

Cables in other materials, colors and lengths All available upon request.



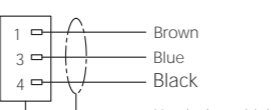
Connector without LED suitable for PNP and NPN switch function. On request, NPN type version with LED available.

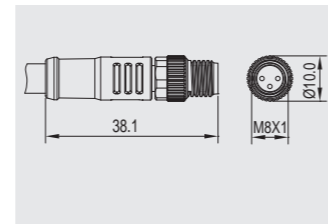
M8 straight female

3-pin	Cable material	Color	Part number-xxx	Order code
	PUR (Flexible cable)	Black	FCC M313-0000-1A-001-PT0334-xxx	63H001 -xxx
Pin layout and wiring diagram				
		Used when shielding		


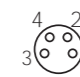
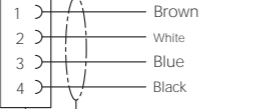


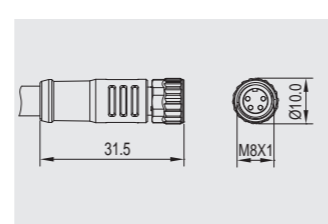
M8 straight male

3-pin	Cable material	Color	Part number-xxx	Order code
	PUR (Flexible cable)	Black	FCC M313-0000-20-001-PT0334-xxx	63H021 -xxx
Pin layout and wiring diagram				
		Used when shielding		



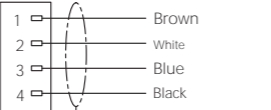


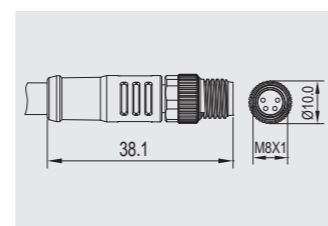
M8 straight female

4-pin	Cable material	Color	Part number-xxx	Order code
	PUR (Flexible cable)	Black	FCC M314-0000-1A-001-PT0434-xxx	63H041 -xxx
Pin layout and wiring diagram				
		Used when shielding		



M8 straight male

4-pin	Cable material	Color	Part number-xxx	Order code
	PUR (Flexible cable)	Black	FCC M314-0000-20-001-PT0434-xxx	63H061 -xxx
Pin layout and wiring diagram				
		Used when shielding		



Remarks: xxx=cable length, can be customized when ordering, the cable length is incremented by 0.5m, for example: 005=0.5m, 010=1m, 015=1.5m


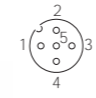

Technical parameter

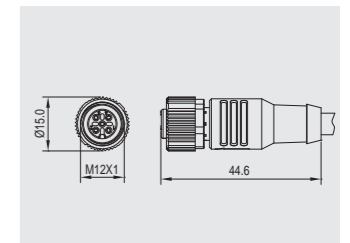
	3 Pin	4 Pin
Max. supply voltage AC U _B	60V AC	60V AC
Max. supply voltage DC U _B	60V DC	60V DC
Cable	Casting	Casting
Number of conductors x conductor cross-section	3x0.34 mm ²	4x0.34 mm ²
Degree of protection as per IEC 60529	IP 67	IP 67
Ambient temperature T _a	-25...+120°C	-25...+120°C

Plug connector



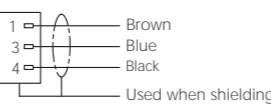
M12 straight and right angle female, male, 3-pin, without LED, can be used at temperatures up to 120°C

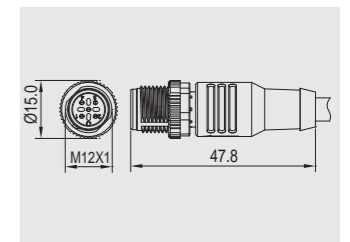
M12 straight female

3-pin	Cable material	Color	Part number-xxx	Order code
	PUR (Flexible cable)	Black	FCC M415-0000-1A-001-PT0334-xxx	64H001 -xxx
Pin layout and wiring diagram				
		Used when shielding		


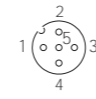
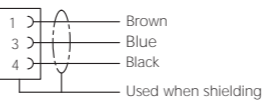


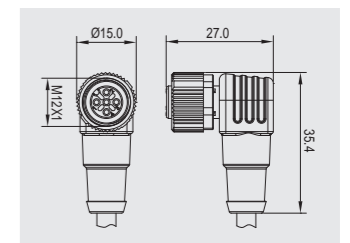
M12 straight male

3-pin	Cable material	Color	Part number-xxx	Order code
	PUR (Flexible cable)	Black	FCC M413-0000-2A-001-PT0334-xxx	64H101 -xxx
Pin layout and wiring diagram				
		Used when shielding		



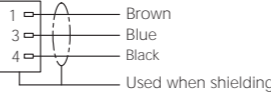


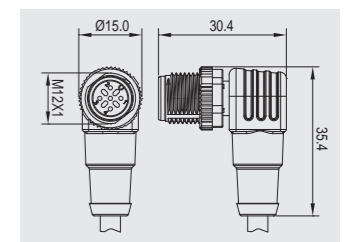
M12 right angle female

3-pin	Cable material	Color	Part number-xxx	Order code
	PUR (Flexible cable)	Black	FCC M425-0000-1A-001-PT0334-xxx	64H021 -xxx
Pin layout and wiring diagram				
		Used when shielding		



M12 right angle male

3-pin	Cable material	Color	Part number-xxx	Order code
	PUR (Flexible cable)	Black	FCC M423-0000-2A-001-PT0334-xxx	64H121 -xxx
Pin layout and wiring diagram				
		Used when shielding		



Remarks: xxx=cable length, can be customized when ordering, the cable length is incremented by 0.5m, for example: 005=0.5m, 010=1m, 015=1.5m


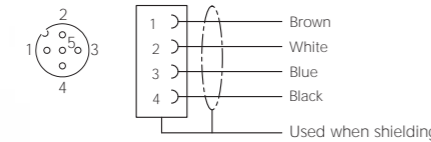
Technical parameter

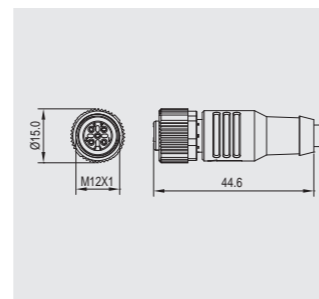
	3 Pin
Max. supply voltage AC U _B	250V AC
Max. supply voltage DC U _B	250V DC
Cable	Casting
Number of conductors x conductor cross-section	3x0.34 mm ²
Degree of protection as per IEC 60529	IP 67
Ambient temperature T _a	-25...+120°C

Plug connector


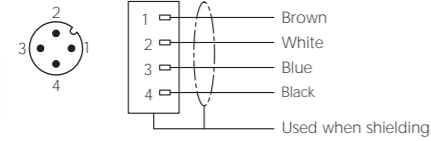
M12 straight and right angle female, male, 4-pin, without LED, can be used at temperatures up to 120°C

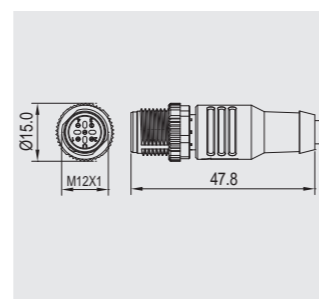
M12 straight female

4-pin	Cable material	Color	Part number-xxx	Order code
	PUR (Flexible cable)	Black	FCC M415-0000-1A-006-PT0434-xxx	64H041 -xxx
	Pin layout and wiring diagram			
				


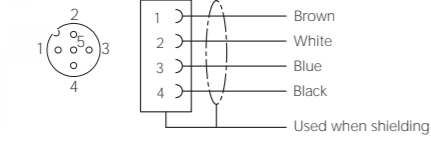


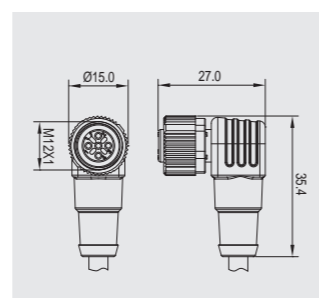
M12 straight male

4-pin	Cable material	Color	Part number-xxx	Order code
	PUR (Flexible cable)	Black	FCC M414-0000-2A-006-PT0434-xxx	64H141 -xxx
	Pin layout and wiring diagram			
				


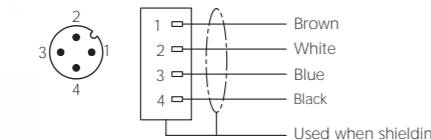


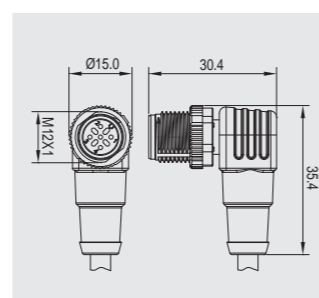
M12 right angle female

4-pin	Cable material	Color	Part number-xxx	Order code
	PUR (Flexible cable)	Black	FCC M425-0000-1A-006-PT0434-xxx	64H061 -xxx
	Pin layout and wiring diagram			
				



M12 right angle male

4-pin	Cable material	Color	Part number-xxx	Order code
	PUR (Flexible cable)	Black	FCC M424-0000-2A-006-PT0434-xxx	64H161 -xxx
	Pin layout and wiring diagram			
				



Remarks: xxx=cable length, can be customized when ordering, the cable length is incremented by 0.5m, for example: 005=0.5m, 010=1m, 015=1.5m


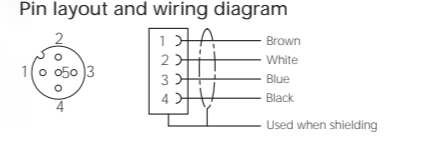
Technical parameter

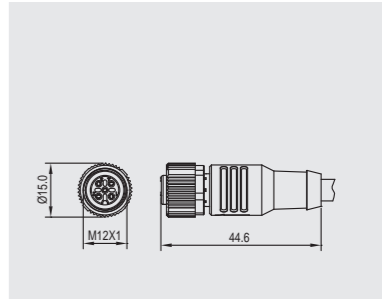
4 Pin	
Max. supply voltage AC U _B	250V AC
Max. supply voltage DC U _B	250V DC
Cable	Casting
Number of conductors x conductor cross-section	4x0.34 mm ²
Degree of protection as per IEC 60529	IP 67
Ambient temperature T _a	-25...+120°C

Plug connector


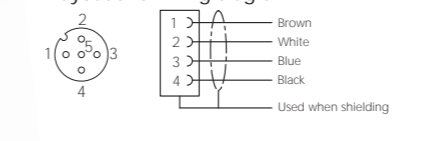
M12 straight and right angle female, 4-pin, without LED IP 69K-ECOLAB

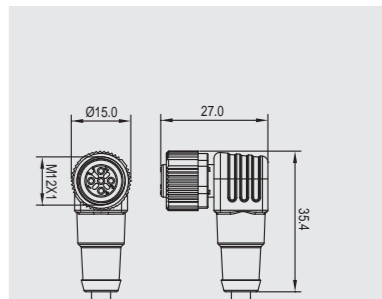
M12 straight female

4-pin	Cable material	Color	Part number-xxx	Order code
	PUR (Flexible cable)	Black	FCC S415-0000-1A-006-PH0434-xxx	64E021 -xxx
	PVC (Fixed installation)	Grey	FCC S415-0000-1A-006-VX8434-xxx	64E023 -xxx
Pin layout and wiring diagram				
				

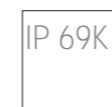


M12 right angle female

4-pin	Cable material	Color	Part number-xxx	Order code
	PUR (Flexible cable)	Black	FCC S425-0000-1A-006-PH0434-xxx	64E041 -xxx
	PVC (Fixed installation)	Grey	FCC S425-0000-1A-006-VX8434-xxx	64E043 -xxx
Pin layout and wiring diagram				
				



Remarks: xxx=cable length, can be customized when ordering, the cable length is incremented by 0.5m, for example: 005=0.5m, 010=1m, 015=1.5m



Resistant to hydrogen peroxide



Technical parameter

4 Pin	
Max. supply voltage AC U _B	250V AC
Max. supply voltage DC U _B	250V DC
Cable	Casting
Number of conductors x conductor cross-section	4x0.34 mm ²
Degree of protection as per IEC 60529	IP 69K
Ambient temperature T _a	-25...+85°C

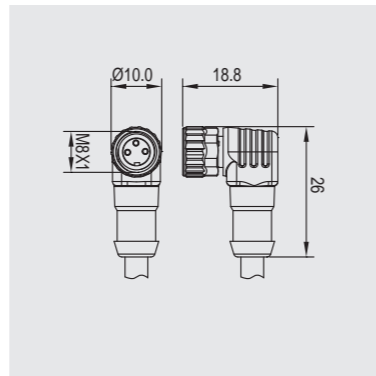
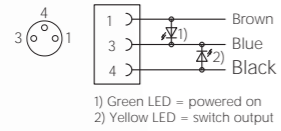
Plug connector
M8 right angle female, 3-pin, with LED IP 69K-ECOLAB

M8

M8 right angle female, with LED

3-pin	Cable material	Color	Part number-xxx	Order code
	PUR (Flexible cable)	Black	FCC S323-0000-1A-004-PH0334-xxx	63E001 -xxx
	PVC (Fixed installation)	Grey	FCC S323-0000-1A-004-VX8334-xxx	63E003 -xxx

Pin layout and wiring diagram



CE RoHS compliant Remarks: xxx=cable length, can be customized when ordering, the cable length is incremented by 0.5m, for example: 005=0.5m, 010=1m, 015=1.5m

IP 69K

Resistant to hydrogen peroxide

ECOLAB

Technical parameter

	3 Pin
Max. supply voltage DC U _B	30V DC
Cable	Casting
Number of conductors x conductor cross-section	3x0.34 mm ²
Degree of protection as per IEC 60529	IP 69K
Ambient temperature T _a	-25...+80°C

Plug connector
M12 right angle female, 3-pin, 4-pin, with LED IP 69K-ECOLAB

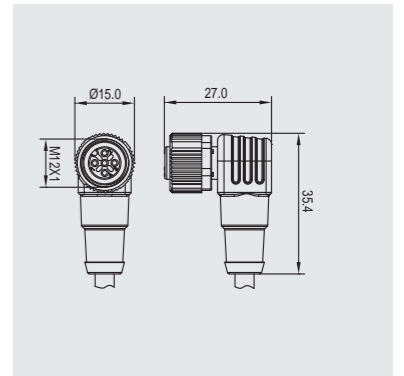
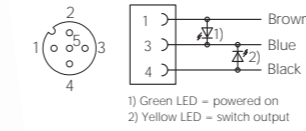
M12

FAS®

M12 right angle female, with LED

3-pin	Cable material	Color	Part number-xxx	Order code
	PUR (Flexible cable)	Black	FCC S425-0000-1A-004-PH0334-xxx	64E001 -xxx
	PVC (Fixed installation)	Grey	FCC S425-0000-1A-004-VX8334-xxx	64E003 -xxx

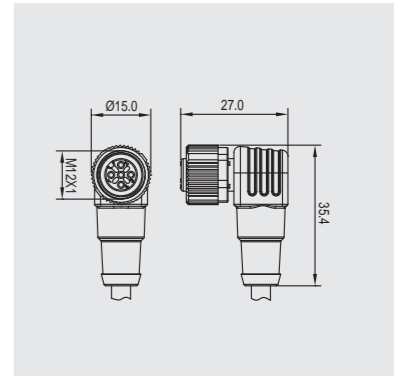
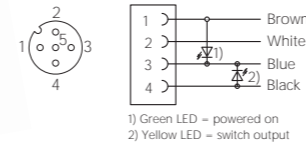
Pin layout and wiring diagram



M12 right angle female, with LED

4-pin	Cable material	Color	Part number-xxx	Order code
	PUR (Flexible cable)	Black	FCC S425-0000-1A-008-PH0434-xxx	64E061 -xxx
	PVC (Fixed installation)	Grey	FCC S425-0000-1A-008-VX8434-xxx	64E063 -xxx

Pin layout and wiring diagram



CE RoHS compliant Remarks: xxx=cable length, can be customized when ordering, the cable length is incremented by 0.5m, for example: 005=0.5m, 010=1m, 015=1.5m

IP 69K

Resistant to hydrogen peroxide

ECOLAB

Technical parameter

	3 Pin	4 Pin
Max. supply voltage DC U _B	30V DC	30V DC
Cable	Casting	Casting
Number of conductors x conductor cross-section	3x0.34 mm ²	4x0.34 mm ²
Degree of protection as per IEC 60529	IP 69K	IP 69K
Ambient temperature T _a	-25...+80°C	-25...+80°C

02

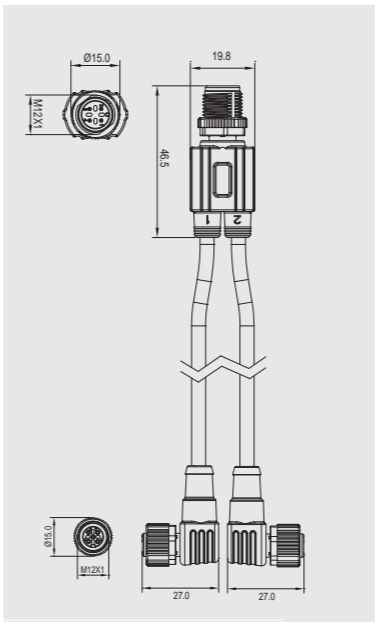
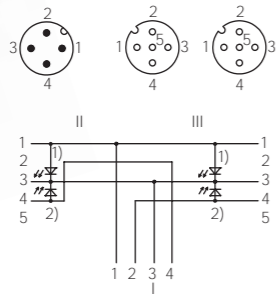
Plug connectors and valve plugs

Plug connector
Y plug, with LED IP 69K-ECOLAB

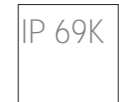
M12 straight Y plug ↔ 2xM12 right angle female, with LED

4-pin	Cable material	Color	Part number-xxx	Order code
	PUR (Flexible cable)	Black	FCC S414-S425-S425-Y26-PH0434-xxx	64E421 -xxx
	PVC (Fixed installation)	Grey	FCC S414-S425-S425-Y26-VX8434-xxx	64E423 -xxx

Pin layout and wiring diagram



CE RoHS compliant Remarks: xxx=cable length, can be customized when ordering, the cable length is incremented by 0.5m, for example: 005=0.5m, 010=1m, 015=1.5m



Resistant to hydrogen peroxide



Cables in other materials, colors and lengths
All available upon request.

Connector without LED suitable for PNP and NPN switch function. On request, NPN type version with LED available.

Technical parameter

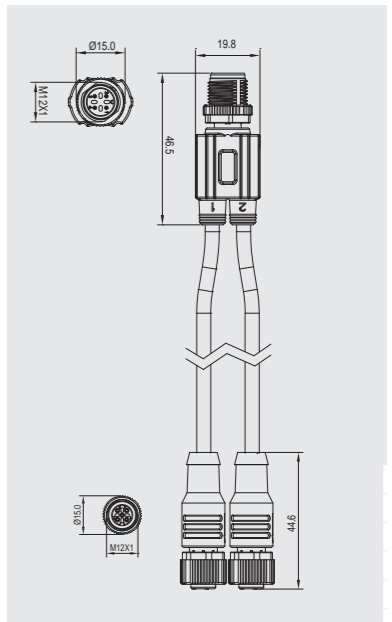
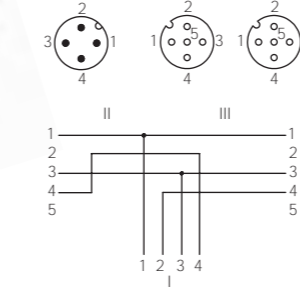
Max. supply voltage DC U _b	30 V DC
Cable	Casting
Number of conductors x conductor cross-section	3x0.34 mm ²
Degree of protection as per IEC 60529	IP 67
Ambient temperature T _a	-25...+80°C

Plug connector
Y plug, no LED IP 69K-ECOLAB

M12 straight Y plug ↔ 2xM12 straight female

4-pin	Cable material	Color	Part number-xxx	Order code
	PUR (Flexible cable)	Black	FCC S414-S415-S415-Y22-PH0434-xxx	64E401 -xxx
	PVC (Fixed installation)	Grey	FCC S414-S415-S415-Y22-VX8434-xxx	64E403 -xxx

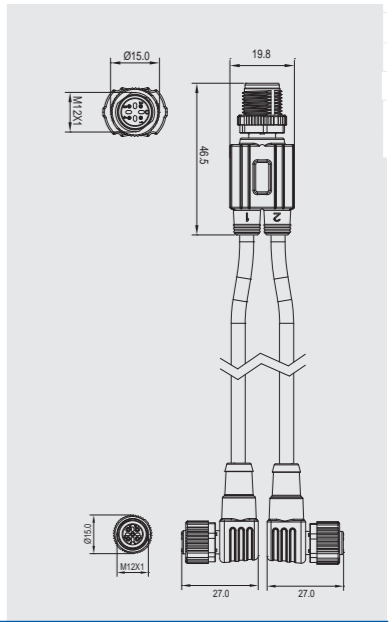
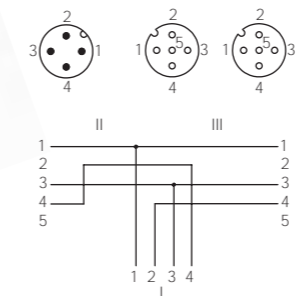
Pin layout and wiring diagram



M12 straight Y plug ↔ 2xM12 right angle female

4-pin	Cable material	Color	Part number-xxx	Order code
	PUR (Flexible cable)	Black	FCC S414-S425-S425-Y22-PH0434-xxx	64E441 -xxx
	PVC (Fixed installation)	Grey	FCC S414-S425-S425-Y22-VX8434-xxx	64E443 -xxx

Pin layout and wiring diagram



CE RoHS compliant Remarks: xxx=cable length, can be customized when ordering, the cable length is incremented by 0.5m, for example: 005=0.5m, 010=1m, 015=1.5m

Technical parameter

	Straight Y plug ↔ straight female	Straight Y plug ↔ right angle female
Max. supply voltage AC U _b	250 V AC	250 V AC
Max. supply voltage DC U _b	250 V DC	250 V DC
Cable	Casting	Casting
Number of conductors x conductor cross-section	3x0.34 mm ²	3x0.34 mm ²
Degree of protection as per IEC 60529	IP 67	IP 67
Ambient temperature T _a	-25...+80°C	-25...+80°C

Plug connector

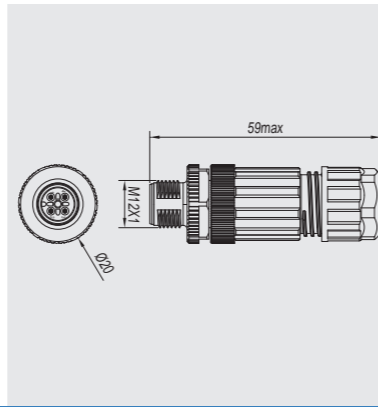
Tee connector

1x M12 male head to two free ends
4-pin



Order code	64FX21
Part number	FCC M434-0001-2A-65X675
Rated working voltage U _B	250V
Rated operating current I _e	4A
Degree of protection as per IEC 60529	IP 67
Ambient temperature T _a	-25...+85°C
Housing material	PA 6.6 + GF

Pin layout and wiring diagram

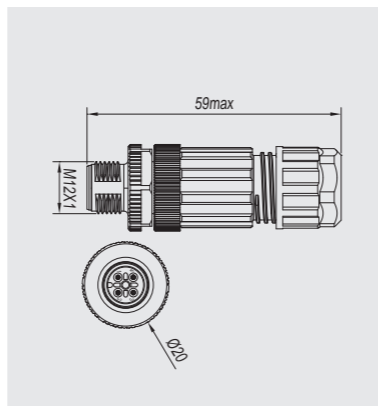


1x M12 male head to two free ends
4-pin



Order code	64FX29
Part number	FCC M434-0003-2A-65X675
Rated working voltage U _B	250V
Rated operating current I _e	4A
Degree of protection as per IEC 60529	IP 67
Ambient temperature T _a	-25...+85°C
Housing material	PA 6.6 + GF

Pin layout and wiring diagram



Plug connector

Welding slag resistant PUR cable,
M8 straight and right angle female, male, 3-pin and 4-pin, without LED



PUR lines for extremely harsh conditions

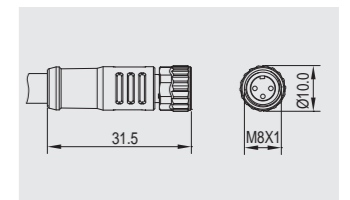
Standard PUR lines have many advantages. They are elastic, resistant to damage, impact and solvents. With the new welding slag-proof PUR wire that complies with ISO 14001 standards, you can easily replace cross-linked cables (which after use become expensive hazardous waste). Possible areas of application include automobile manufacturing, especially body building.

- Resistant to sparks and welding slag
- Protection class IP 67
- Complies with ISO 14001 standard - non-hazardous waste
- Replace cross-linked cable
- Shell color: yellow, orange
- 180°C twisting stress
- Meets all requirements of the automotive industry

M8 straight female
3-pin

Cable material	Color	Part number-xxx	Order code
PUR (Flexible cable)	Orange	FCC M313-0000-10-001-PW4325-xxx	63T001-xxx

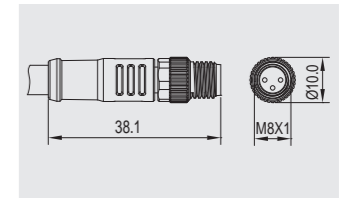
Pin layout and wiring diagram



M8 straight male
3-pin

Cable material	Color	Part number-xxx	Order code
PUR (Flexible cable)	Orange	FCC M313-0000-20-001-PW4325-xxx	63T521-xxx

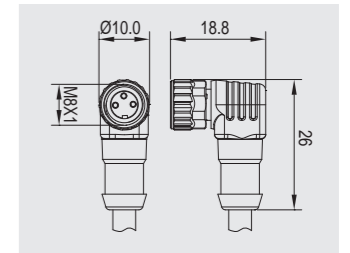
Pin layout and wiring diagram



M8 right angle female
3-pin

Cable material	Color	Part number-xxx	Order code
PUR (Flexible cable)	Orange	FCC M323-0000-10-001-PW4325-xxx	63T021-xxx

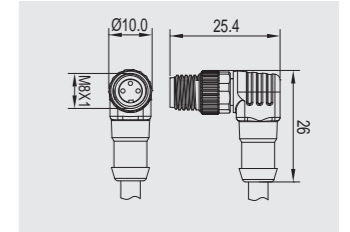
Pin layout and wiring diagram



M8 right angle male
3-pin

Cable material	Color	Part number-xxx	Order code
PUR (Flexible cable)	Orange	FCC M323-0000-20-001-PW4325-xxx	63T541-xxx

Pin layout and wiring diagram



Remarks: xxx=cable length, can be customized when ordering, the cable length is incremented by 0.5m, for example: 005=0.5m, 010=1m, 015=1.5m


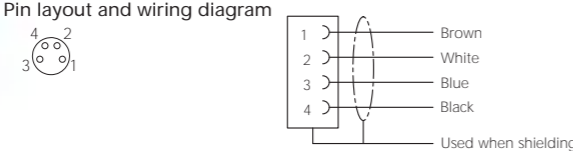
Technical parameter

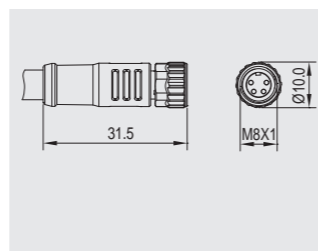
	3 Pin
Max. supply voltage AC U _B	60V AC
Max. supply voltage DC U _B	60V DC
Cable	Casting
Number of conductors x conductor cross-section	3x0.25 mm ²
Degree of protection as per IEC 60529	IP 67
Ambient temperature T _a	-25...+105 °C

Plug connector


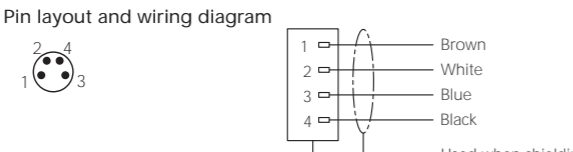
Welding slag resistant PUR cable,
M8 straight and right angle female, male, 4-pin, without LED

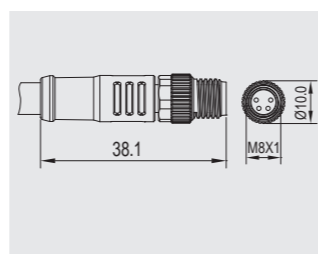
M8 straight female

4-pin	Cable material	Color	Part number-xxx	Order code
	PUR (Flexible cable)	Orange	FCC M314-0000-10-006-PW4425-xxx	63T041 -xxx
Pin layout and wiring diagram 				


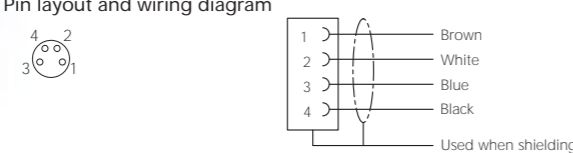


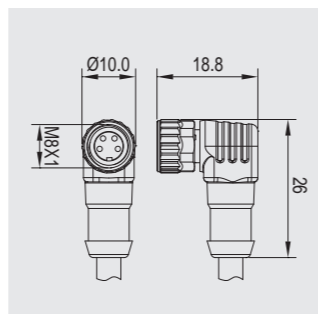
M8 straight male

4-pin	Cable material	Color	Part number-xxx	Order code
	PUR (Flexible cable)	Orange	FCC M314-0000-20-006-PW4425-xxx	63T561 -xxx
Pin layout and wiring diagram 				


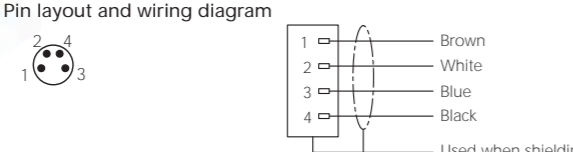


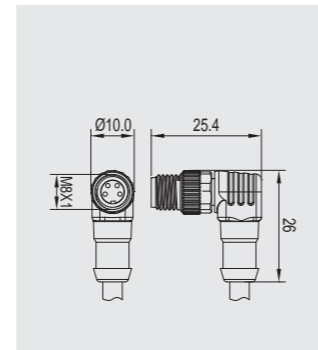
M8 right angle female

4-pin	Cable material	Color	Part number-xxx	Order code
	PUR (Flexible cable)	Orange	FCC M324-0000-10-006-PW4425-xxx	63T061 -xxx
Pin layout and wiring diagram 				



M8 right angle male

4-pin	Cable material	Color	Part number-xxx	Order code
	PUR (Flexible cable)	Orange	FCC M324-0000-20-006-PW4425-xxx	63T581 -xxx
Pin layout and wiring diagram 				



Remarks: xxx=cable length, can be customized when ordering, the cable length is incremented by 0.5m, for example: 005=0.5m, 010=1m, 015=1.5m

Technical parameter



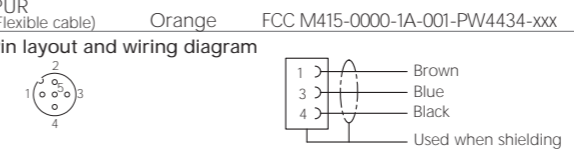
	4 Pin
Max. supply voltage AC U _B	60V AC
Max. supply voltage DC U _B	60V DC
Cable	Casting
Number of conductors x conductor cross-section	4x0.25 mm ²
Degree of protection as per IEC 60529	IP 67
Ambient temperature T _a	-25...+105 °C

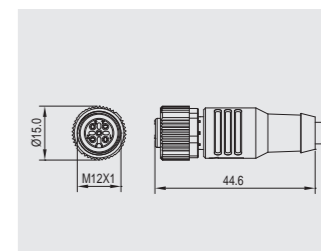
M8

Plug connector



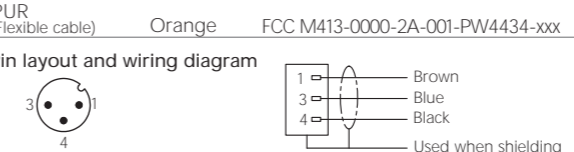
Welding slag resistant PUR cable,
M12 straight and right angle female, male, 3-pin, without LED

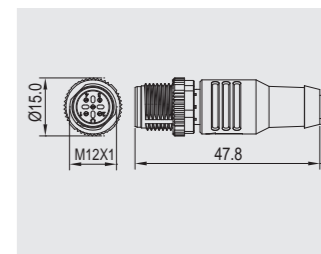
M12 straight female

3-pin	Cable material	Color	Part number-xxx	Order code
	PUR (Flexible cable)	Yellow	FCC M415-0000-1A-001-PW2434-xxx	64T011 -xxx
	PUR (Flexible cable)	Orange	FCC M415-0000-1A-001-PW4434-xxx	64T013 -xxx
Pin layout and wiring diagram 				



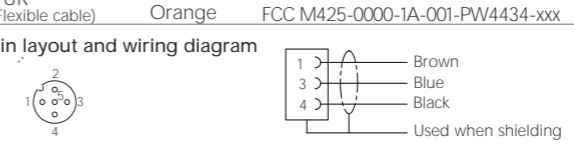


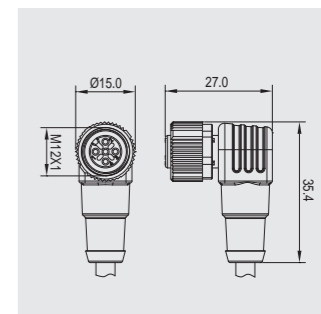
M12 straight male

3-pin	Cable material	Color	Part number-xxx	Order code
	PUR (Flexible cable)	Yellow	FCC M413-0000-2A-001-PW2434-xxx	64T611 -xxx
	PUR (Flexible cable)	Orange	FCC M413-0000-2A-001-PW4434-xxx	64T613 -xxx
Pin layout and wiring diagram 				



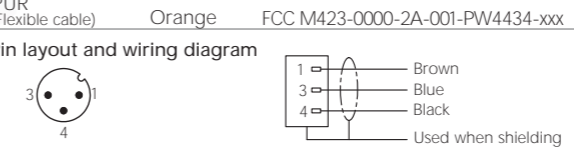


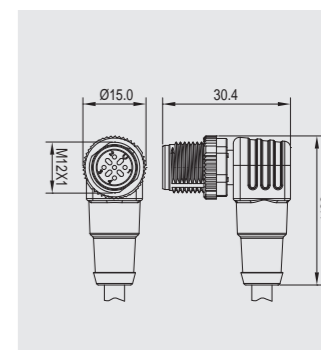
M12 right angle female

3-pin	Cable material	Color	Part number-xxx	Order code
	PUR (Flexible cable)	Yellow	FCC M425-0000-1A-001-PW2434-xxx	64T001 -xxx
	PUR (Flexible cable)	Orange	FCC M425-0000-1A-001-PW4434-xxx	64T003 -xxx
Pin layout and wiring diagram 				



M12 right angle male

3-pin	Cable material	Color	Part number-xxx	Order code
	PUR (Flexible cable)	Yellow	FCC M423-0000-2A-001-PW2434-xxx	64T501 -xxx
	PUR (Flexible cable)	Orange	FCC M423-0000-2A-001-PW4434-xxx	64T503 -xxx
Pin layout and wiring diagram 				



Remarks: xxx=cable length, can be customized when ordering, the cable length is incremented by 0.5m, for example: 005=0.5m, 010=1m, 015=1.5m

Technical parameter

	3 Pin
Max. supply voltage AC U _B	250V AC
Max. supply voltage DC U _B	250V DC
Cable	Casting
Number of conductors x conductor cross-section	3x0.34 mm ²
Degree of protection as per IEC 60529	IP 67
Ambient temperature T _a	-25...+105 °C

M12


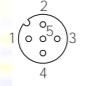
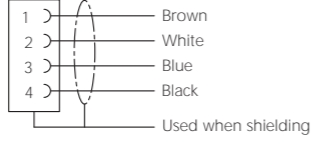
02

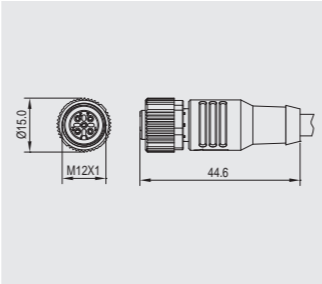
Plug connectors and valve plugs

Plug connector


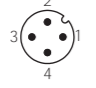
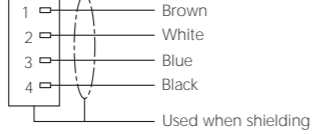
Welding slag resistant PUR cable,
M12 straight and right angle female, male, 4-pin, without LED

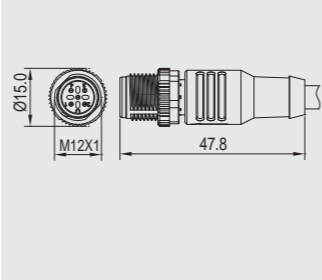
M12 straight female

4-pin	Cable material	Color	Part number-xxx	Order code
	PUR (Flexible cable)	Yellow	FCC M415-0000-1A-006-PW2434-xxx	64T041 -xxx
	PUR (Flexible cable)	Orange	FCC M415-0000-1A-006-PW4434-xxx	64T043 -xxx
Pin layout and wiring diagram				
		1 Brown 2 White 3 Blue 4 Black Used when shielding		


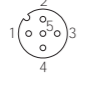
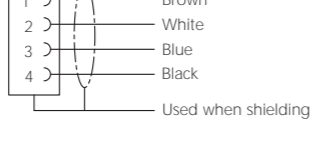


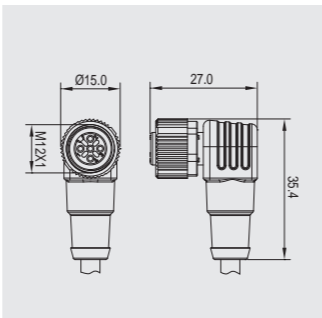
M12 straight male

4-pin	Cable material	Color	Part number-xxx	Order code
	PUR (Flexible cable)	Yellow	FCC M414-0000-2A-006-PW2434-xxx	64T051 -xxx
	PUR (Flexible cable)	Orange	FCC M414-0000-2A-006-PW4434-xxx	64T053 -xxx
Pin layout and wiring diagram				
		1 Brown 2 White 3 Blue 4 Black Used when shielding		


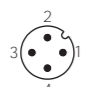
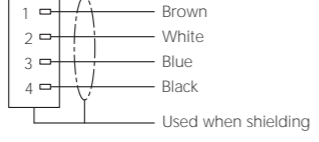


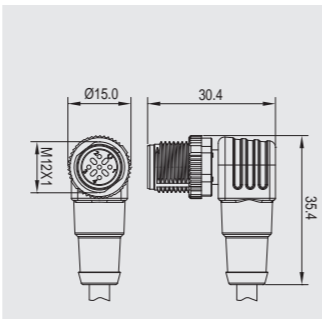
M12 right angle female

4-pin	Cable material	Color	Part number-xxx	Order code
	PUR (Flexible cable)	Yellow	FCC M425-0000-1A-006-PW2434-xxx	64T061 -xxx
	PUR (Flexible cable)	Orange	FCC M425-0000-1A-006-PW4434-xxx	64T063 -xxx
Pin layout and wiring diagram				
		1 Brown 2 White 3 Blue 4 Black Used when shielding		



M12 right angle male

4-pin	Cable material	Color	Part number-xxx	Order code
	PUR (Flexible cable)	Yellow	FCC M424-0000-2A-006-PW2434-xxx	64T521 -xxx
	PUR (Flexible cable)	Orange	FCC M424-0000-2A-006-PW4434-xxx	64T523 -xxx
Pin layout and wiring diagram				
		1 Brown 2 White 3 Blue 4 Black Used when shielding		



Remarks: xxx=cable length, can be customized when ordering, the cable length is incremented by 0.5m, for example: 005=0.5m, 010=1m, 015=1.5m


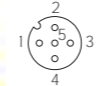
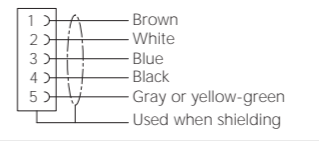
Technical parameter

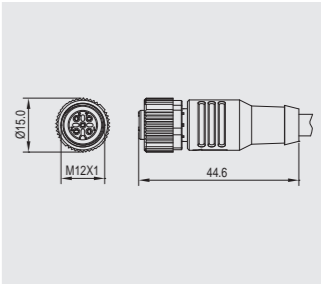
4 Pin	
Max. supply voltage AC U _B	250V AC
Max. supply voltage DC U _B	250V DC
Cable	Casting
Number of conductors x conductor cross-section	4x0.34 mm ²
Degree of protection as per IEC 60529	IP 67
Ambient temperature T _a	-25...+105 °C

Plug connector



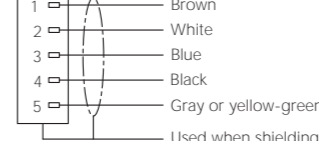
Welding slag resistant PUR cable,
M12 straight and right angle female, male, 5-pin, without LED

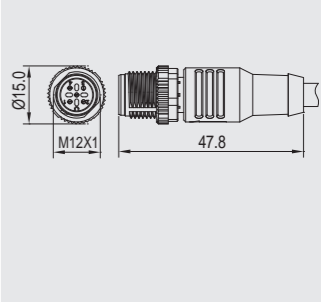
M12 straight female

5-pin	Cable material	Color	Part number-xxx	Order code
	PUR (Flexible cable)	Yellow	FCC M415-0000-1A-006-PW2534-xxx	64T091 -xxx
	PUR (Flexible cable)	Orange	FCC M415-0000-1A-006-PW4534-xxx	64T093 -xxx
Pin layout and wiring diagram				
		1 Brown 2 White 3 Blue 4 Black 5 Gray or yellow-green Used when shielding		


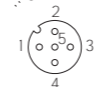
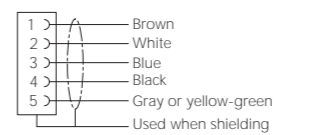


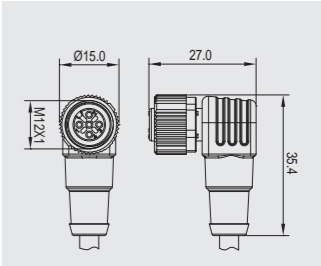
M12 straight male

5-pin	Cable material	Color	Part number-xxx	Order code
	PUR (Flexible cable)	Yellow	FCC M415-0000-2A-006-PW2534-xxx	64T071 -xxx
	PUR (Flexible cable)	Orange	FCC M415-0000-2A-006-PW4534-xxx	64T073 -xxx
Pin layout and wiring diagram				
		1 Brown 2 White 3 Blue 4 Black 5 Gray or yellow-green Used when shielding		


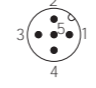
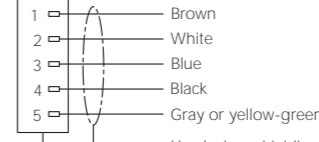


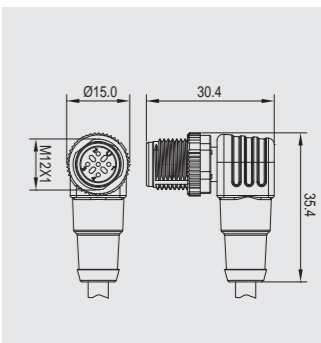
M12 right angle female

5-pin	Cable material	Color	Part number-xxx	Order code
	PUR (Flexible cable)	Yellow	FCC M425-0000-1A-006-PW2534-xxx	64T541 -xxx
	PUR (Flexible cable)	Orange	FCC M425-0000-1A-006-PW4534-xxx	64T543 -xxx
Pin layout and wiring diagram				
		1 Brown 2 White 3 Blue 4 Black 5 Gray or yellow-green Used when shielding		



M12 right angle male

5-pin	Cable material	Color	Part number-xxx	Order code
	PUR (Flexible cable)	Yellow	FCC M425-0000-2A-006-PW2534-xxx	64T561 -xxx
	PUR (Flexible cable)	Orange	FCC M425-0000-2A-006-PW4534-xxx	64T563 -xxx
Pin layout and wiring diagram				
		1 Brown 2 White 3 Blue 4 Black 5 Gray or yellow-green Used when shielding		



Remarks: xxx=cable length, can be customized when ordering, the cable length is incremented by 0.5m, for example: 005=0.5m, 010=1m, 015=1.5m


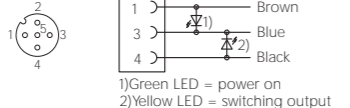
Technical parameter

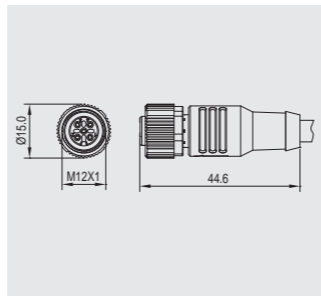
5 Pin	
Max. supply voltage AC U _B	125V AC
Max. supply voltage DC U _B	125V DC
Cable	Casting
Number of conductors x conductor cross-section	5x0.34 mm ²
Degree of protection as per IEC 60529	IP 67
Ambient temperature T _a	-25...+105 °C

Plug connector


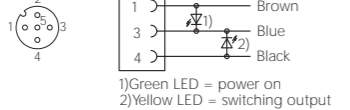
Welding spatter-resistant PUR cable,
M12 straight or right angle female, 3-pin and 4-pin, with LED

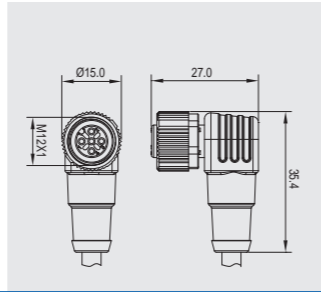
M12 straight female, with LED

3-pin	Cable material	Color	Part number-xxx	Order code
	PUR (Flexible cable)	Yellow	FCC M415-0000-1A-004-PW2434-xxx	64T031 -xxx
	PUR (Flexible cable)	Orange	FCC M415-0000-1A-004-PW4434-xxx	64T033 -xxx
Pin layout and wiring diagram				
 <p>1)Green LED = power on 2)Yellow LED = switching output</p>				


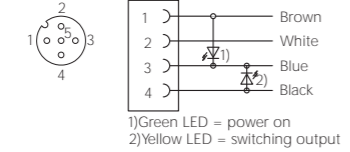


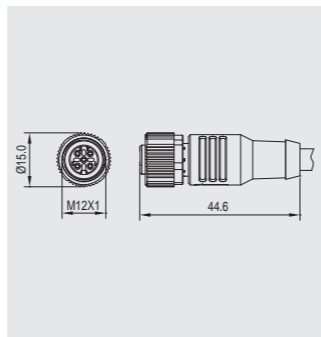
M12 right angle female, with LED

3-pin	Cable material	Color	Part number-xxx	Order code
	PUR (Flexible cable)	Yellow	FCC M425-0000-1A-004-PW2434-xxx	64T021 -xxx
	PUR (Flexible cable)	Orange	FCC M425-0000-1A-004-PW4434-xxx	64T023 -xxx
Pin layout and wiring diagram				
 <p>1)Green LED = power on 2)Yellow LED = switching output</p>				


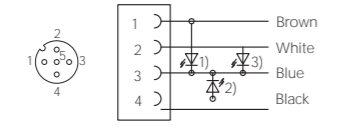


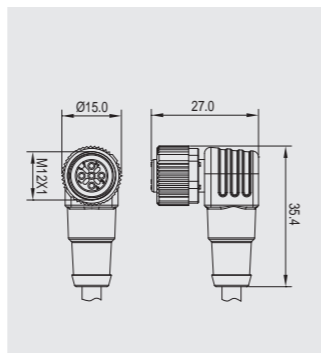
M12 straight female, with LED

4-pin	Cable material	Color	Part number-xxx	Order code
	PUR (Flexible cable)	Yellow	FCC M415-0000-1A-010-PW2434-xxx	64T311 -xxx
	PUR (Flexible cable)	Orange	FCC M415-0000-1A-010-PW4434-xxx	64T313 -xxx
Pin layout and wiring diagram				
 <p>1)Green LED = power on 2)Yellow LED = switching output</p>				



M12 right angle female, with LED

4-pin	Cable material	Color	Part number-xxx	Order code
	PUR (Flexible cable)	Yellow	FCC M425-0000-1A-010-PW2434-xxx	64T081 -xxx
	PUR (Flexible cable)	Orange	FCC M425-0000-1A-010-PW4434-xxx	64T083 -xxx
Pin layout and wiring diagram				
				



Remarks: xxx=cable length, can be customized when ordering, the cable length is incremented by 0.5m, for example: 005=0.5m, 010=1m, 015=1.5m


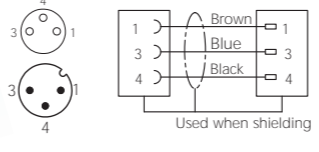
Technical parameter

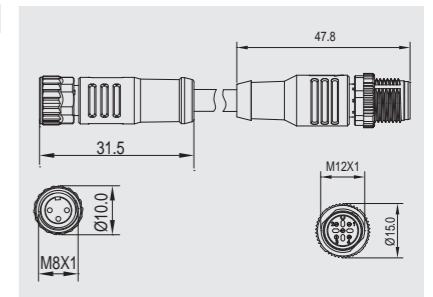
	3 Pin	4 Pin
Max. supply voltage DC U _B	30V DC	30V DC
Cable	Casting	Casting
Number of conductors x conductor cross-section	3×0.34 mm ²	4×0.34 mm ²
Degree of protection as per IEC 60529	IP 67	IP 67
Ambient temperature T _a	-25...+105 °C	-25...+105 °C

Plug connector


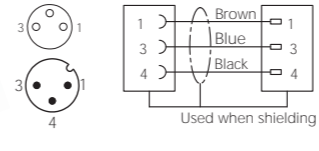
Welding slag resistant PUR cable,
M8 right angle female↔M12 straight male, 4-pin, no LED

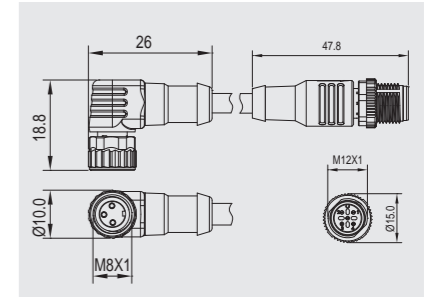
M8 straight female↔M12 straight male

3-pin	Cable material	Color	Part number-xxx	Order code
	PUR (Flexible cable)	Orange	FCC M313-M413-30-001-PW4325-xxx	63T201 -xxx
	Pin layout and wiring diagram			
 <p>Used when shielding</p>				


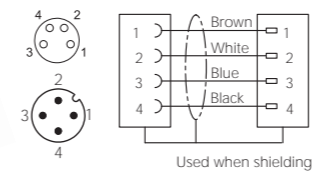


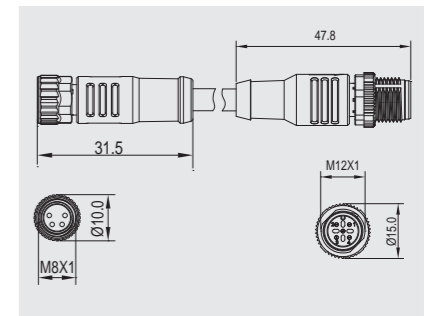
M8 right angle female↔M12 straight male

3-pin	Cable material	Color	Part number-xxx	Order code
	PUR (Flexible cable)	Orange	FCC M323-M413-30-006-PW4325-xxx	63T221 -xxx
	Pin layout and wiring diagram			
 <p>Used when shielding</p>				


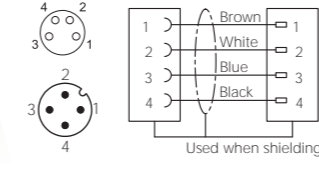


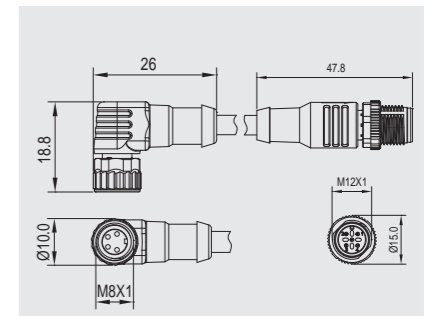
M8 straight female↔M12 straight male

4-pin	Cable material	Color	Part number-xxx	Order code
	PUR (Flexible cable)	Orange	FCC M314-M414-30-006-PW4425-xxx	63T261 -xxx
	Pin layout and wiring diagram			
 <p>Used when shielding</p>				



M8 right angle female↔M12 straight male

4-pin	Cable material	Color	Part number-xxx	Order code
	PUR (Flexible cable)	Orange	FCC M324-M414-30-006-PW4425-xxx	63T281 -xxx
	Pin layout and wiring diagram			
 <p>Used when shielding</p>				



Remarks: xxx=cable length, can be customized when ordering, the cable length is incremented by 0.5m, for example: 005=0.5m, 010=1m, 015=1.5m

Technical parameter


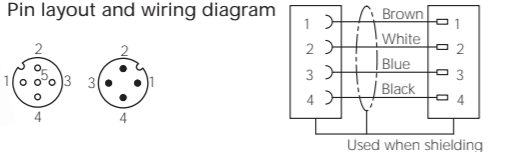
	3 Pin	4 Pin
Max. supply voltage AC U _B	60V AC	60V AC
Max. supply voltage DC U _B	60V DC	60V DC
Cable	Casting	Casting
Number of conductors x conductor cross-section	3×0.25 mm ²	4×0.25 mm ²
Degree of protection as per IEC 60529	IP 67	IP 67
Ambient temperature T _a	-25...+105 °C	-25...+105 °C

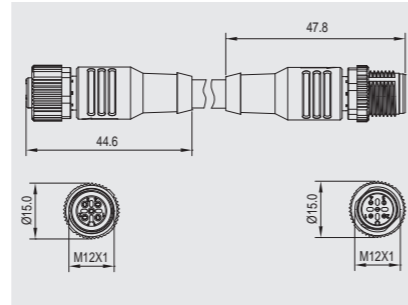
M12 ↔ M12

Plug connector


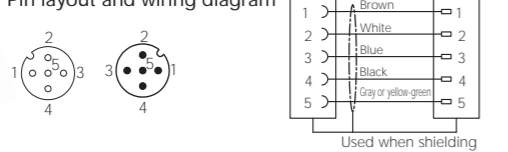
Welding slag-proof PUR cable,
M12 straight or right-angle female ↔ M12 straight male, 4-pin, 5-pin, no LED

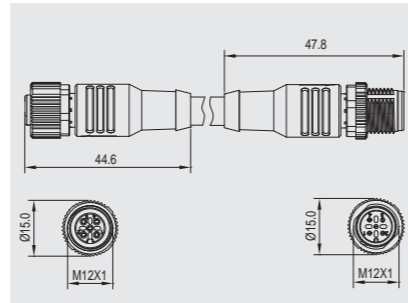
M12 straight female ↔ M12 straight male

4-pin	Cable material	Color	Part number-xxx	Order code
	PUR (Flexible cable)	Yellow	FCC M415-M414-30-006-PW2434-xxx	64T101 -xxx
	PUR (Flexible cable)	Orange	FCC M415-M414-30-006-PW4434-xxx	64T103 -xxx
Pin layout and wiring diagram 				


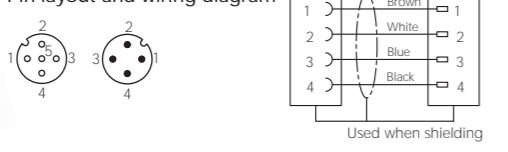


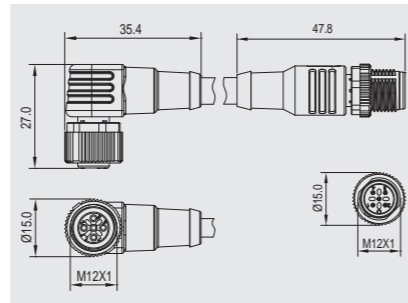
M12 straight female ↔ M12 straight male

5-pin	Cable material	Color	Part number-xxx	Order code
	PUR (Flexible cable)	Yellow	FCC M415-M415-30-006-PW2534-xxx	64T531 -xxx
	PUR (Flexible cable)	Orange	FCC M415-M415-30-006-PW4534-xxx	64T533 -xxx
Pin layout and wiring diagram 				





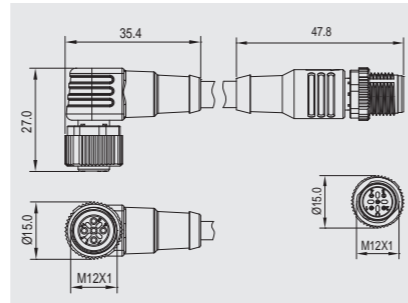
M12 right angle female ↔ M12 straight male

4-pin	Cable material	Color	Part number-xxx	Order code
	PUR (Flexible cable)	Yellow	FCC M425-M414-30-006-PW2434-xxx	64T141 -xxx
	PUR (Flexible cable)	Orange	FCC M425-M414-30-006-PW4434-xxx	64T143 -xxx
Pin layout and wiring diagram 				



M12 right angle female ↔ M12 straight male

5-pin	Cable material	Color	Part number-xxx	Order code
	PUR (Flexible cable)	Yellow	FCC M425-M415-30-006-PW2534-xxx	64T551 -xxx
	PUR (Flexible cable)	Orange	FCC M425-M415-30-006-PW4534-xxx	64T553 -xxx
Pin layout and wiring diagram 				



RoHS compliant Remarks: xxx=cable length, can be customized when ordering, the cable length is incremented by 0.5m, for example: 005=0.5m, 010=1m, 015=1.5m


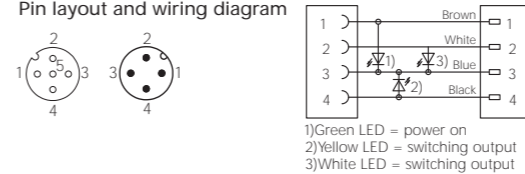
Technical parameter

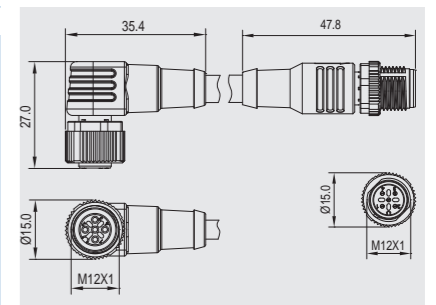
	4 Pin	5 Pin
Max. supply voltage AC U _B	250V AC	125V AC
Max. supply voltage DC U _B	250V DC	125V DC
Cable	Casting	Casting
Number of conductors x conductor cross-section	4x0.34 mm ²	5x0.34 mm ²
Degree of protection as per IEC 60529	IP 67	IP 67
Ambient temperature T _a	-25...+105 °C	-25...+105 °C

Plug connector

Welding slag resistant PUR cable,
M12 right angle female ↔ M12 straight male, 4-pin, with LED

M12 right angle female, with LED ↔ M12 straight male

4-pin	Cable material	Color	Part number-xxx	Order code
	PUR (Flexible cable)	Yellow	FCC M425-M414-30-010-PW2434-xxx	64T121 -xxx
	PUR (Flexible cable)	Orange	FCC M425-M414-30-010-PW4434-xxx	64T123 -xxx
Pin layout and wiring diagram 				



RoHS compliant Remarks: xxx=cable length, can be customized when ordering, the cable length is incremented by 0.5m, for example: 005=0.5m, 010=1m, 015=1.5m

Technical parameter

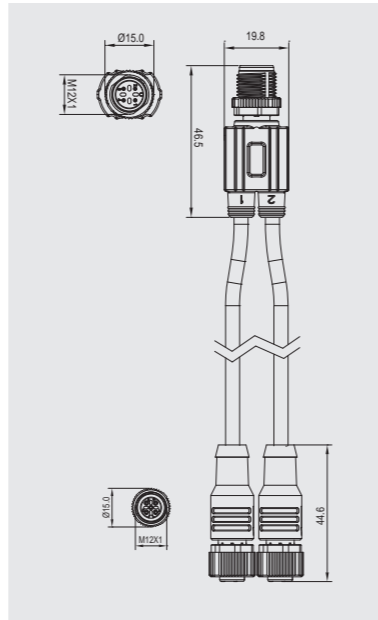
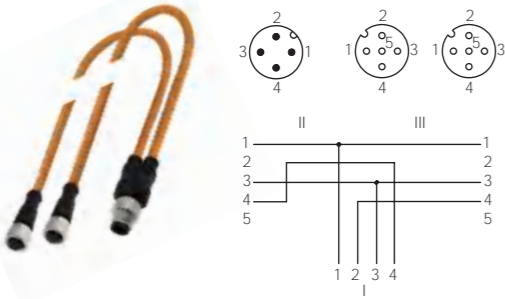
	4 Pin
Max. supply voltage AC U _B	/
Max. supply voltage DC U _B	30V DC
Cable	Casting
Number of conductors x conductor cross-section	4x0.34 mm ²
Degree of protection as per IEC 60529	IP 67
Ambient temperature T _a	-25...+105 °C

Plug connector
Welding slag resistant PUR wire, Y plug

2xM12 straight/M12

4-pin	Cable material	Color	Part number-xxx	Order code
	PUR (Flexible cable)	Yellow	FCC M414-M415-M415-Y22-PW2434-xxx	64T161 -xxx
	PUR (Flexible cable)	Orange	FCC M414-M415-M415-Y22-PW4434-xxx	64T163 -xxx

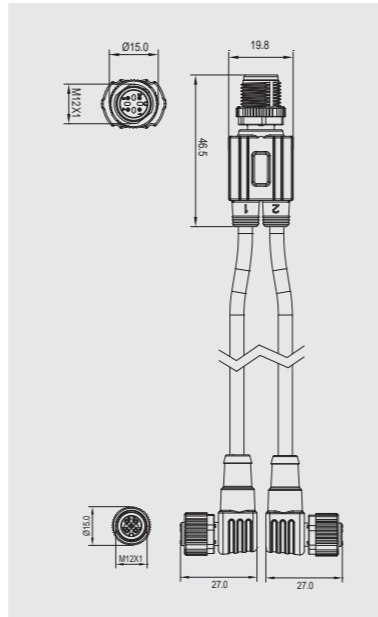
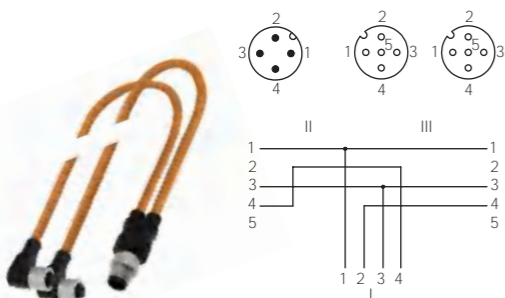
Pin layout and wiring diagram



2xM12 right angle type/M12

4-pin	Cable material	Color	Part number-xxx	Order code
	PUR (Flexible cable)	Yellow	FCC M414-M425-M425-Y22-PW2434-xxx	64T201 -xxx
	PUR (Flexible cable)	Orange	FCC M414-M425-M425-Y22-PW4434-xxx	64T203 -xxx

Pin layout and wiring diagram



RoHS compliant Remarks: xxx=cable length, can be customized when ordering, the cable length is incremented by 0.5m, for example: 005=0.5m, 010=1m, 015=1.5m

Technical parameter

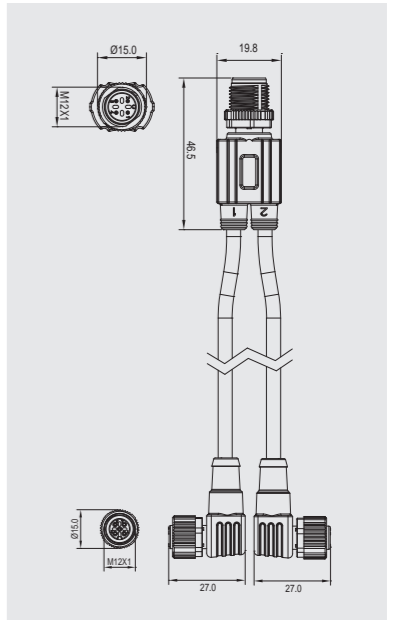
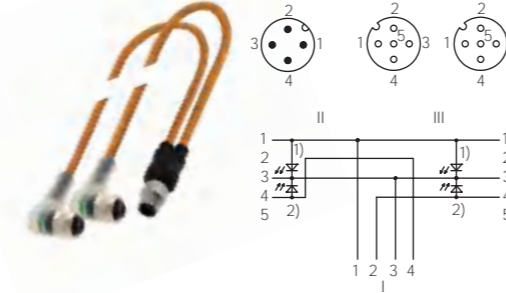
Type	2xM12 straight/M12	2xM12 right angle type/M12
Max. supply voltage AC U _B	250V AC	250V AC
Max. supply voltage DC U _B	250V DC	250V DC
Cable	Casting	Casting
Number of conductors x conductor cross-section	3x0.34 mm ²	3x0.34 mm ²
Degree of protection as per IEC 60529	IP 67	IP 67
Ambient temperature T _a	-25...+105 °C	-25...+105 °C

Plug connector
Welding slag resistant PUR wire, Y plug

2xM12 right angle type/M12

4-pin	Cable material	Color	Part number-xxx	Order code
	PUR (Flexible cable)	Yellow	FCC M414-M425-M425-Y26-PW2434-xxx	64T181 -xxx
	PUR (Flexible cable)	Orange	FCC M414-M425-M425-Y26-PW4434-xxx	64T183 -xxx

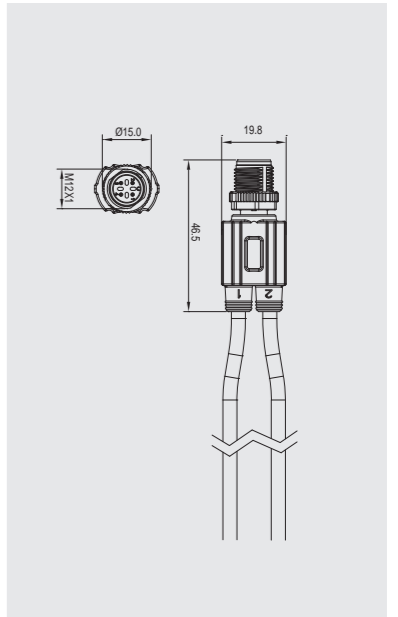
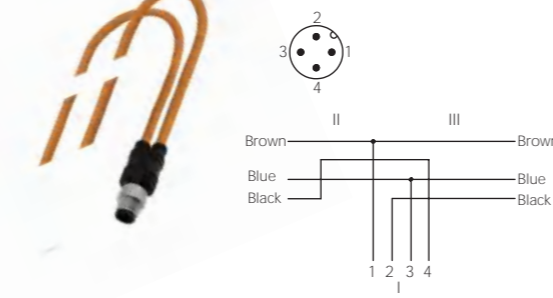
Pin layout and wiring diagram



2xFree end/M12

4-pin	Cable material	Color	Part number-xxx	Order code
	PUR (Flexible cable)	Yellow	FCC M414-0000-0000-Y22-PW2434-xxx	64TY01 -xxx
	PUR (Flexible cable)	Orange	FCC M414-0000-0000-Y22-PW4434-xxx	64TY03 -xxx

Pin layout and wiring diagram



RoHS compliant Remarks: xxx=cable length, can be customized when ordering, the cable length is incremented by 0.5m, for example: 005=0.5m, 010=1m, 015=1.5m

Technical parameter

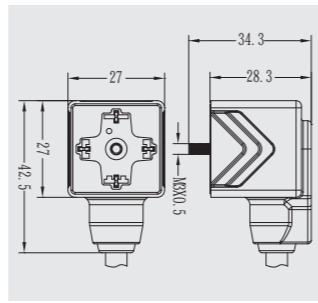
Type	2xM12 right angle type/M12	2xFree end/M12
Max. supply voltage AC U _B	/	250V AC
Max. supply voltage DC U _B	30V DC	250V DC
Cable	Casting	Casting
Number of conductors x conductor cross-section	3x0.34 mm ²	3x0.34mm ²
Degree of protection as per IEC 60529	IP 67	IP 67
Ambient temperature T _a	-25...+105 °C	-25...+105 °C

Valve plug

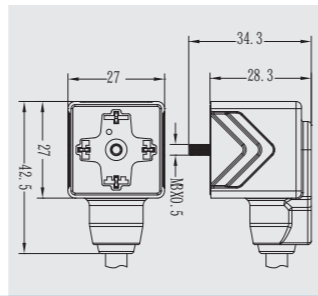
(1) Type A, DIN, 18mm, 4-pin

Type A

(1-1) DIN, 18 mm, 4-pin	Cable material	Color	Part number-xxx	Order code
	PUR (Flexible cable)	Black	FCC VA02-0000-10-PX0350-xxx	6VA001 -xxx
	PVC (Fixed installation)	Grey	FCC VA02-0000-10-VX8350-xxx	6VA003 -xxx
Pin layout		Wiring diagram		



(1-2) DIN, 18 mm, 4-pin	Cable material	Color	Part number-xxx	Order code
	PUR (Flexible cable)	Black	FCC VA12-0000-10-PX0350-xxx	6VA021 -xxx
	PVC (Fixed installation)	Grey	FCC VA12-0000-10-VX8350-xxx	6VA023 -xxx
Pin layout		Wiring diagram		



CE RoHS compliant Remarks: xxx=cable length, can be customized when ordering, the cable length is incremented by 0.5m, for example: 005=0.5m, 010=1m, 015=1.5m

Technical parameter

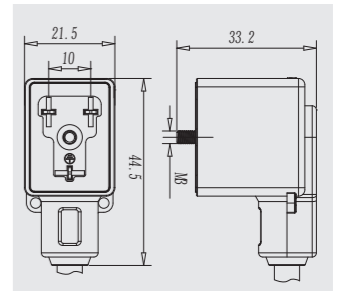
	Type A -(1-1)	Type A -(1-2)
Cable lead out	0°/180°	0°/180°
Max. supply voltage AC U _B	24 V	230 V
Max. supply voltage DC U _B	24 V	230 V
Cable	Casting	Casting
Current rating	4.0 A	4.0 A
Suppressor	Suppression diode	Suppression diode
Number of conductors x conductor cross-section	3x0.5mm ²	3x0.5mm ²
Degree of protection as per IEC 60529	IP 67	IP 67
Ambient temperature T _a	-25...+80°C	-25...+80°C

Valve plug

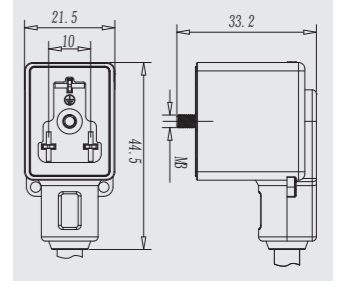
(1) Type B, DIN, 10mm, 3-pin;
(2) Type B, Industrial, 11mm, 3-pin

Type B

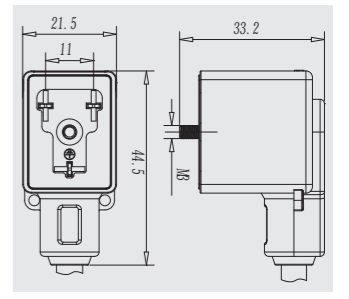
(1-1) DIN, 10 mm, 3-pin	Cable material	Color	Part number-xxx	Order code
	PUR (Flexible cable)	Black	FCC VB02-0000-10-PX0350-xxx	6VB001 -xxx
	PVC (Fixed installation)	Grey	FCC VB02-0000-10-VX8350-xxx	6VB003 -xxx
Pin layout and wiring diagram				



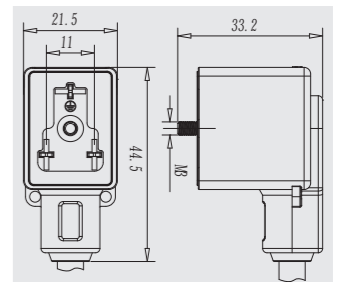
(1-2) DIN, 10 mm, 3-pin	Cable material	Color	Part number-xxx	Order code
	PUR (Flexible cable)	Black	FCC VB22-0000-10-PX0350-xxx	6VB021 -xxx
	PVC (Fixed installation)	Grey	FCC VB22-0000-10-VX8350-xxx	6VB023 -xxx
Pin layout and wiring diagram				



(2-1) 工业, 11 mm, 3-pin	Cable material	Color	Part number-xxx	Order code
	PUR (Flexible cable)	Black	FCC VB42-0000-10-PX0350-xxx	6VB081 -xxx
	PVC (Fixed installation)	Grey	FCC VB42-0000-10-VX8350-xxx	6VB083 -xxx
Pin layout and wiring diagram				



(2-2) 工业, 11 mm, 3-pin	Cable material	Color	Part number-xxx	Order code
	PUR (Flexible cable)	Black	FCC VB62-0000-10-PX0350-xxx	6VB101 -xxx
	PVC (Fixed installation)	Grey	FCC VB62-0000-10-VX8350-xxx	6VB103 -xxx
Pin layout and wiring diagram				



CE RoHS compliant Remarks: xxx=cable length, can be customized when ordering, the cable length is incremented by 0.5m, for example: 005=0.5m, 010=1m, 015=1.5m

Technical parameter

	Type B-(1-1) and (2-1)	Type B-(1-2) and (2-2)
Cable lead out	0°	180°
Max. supply voltage AC U _B	24 V	24 V
Max. supply voltage DC U _B	24 V	24 V
Cable	Casting	Casting
Current rating	4.0 A	4.0 A
Suppressor	Suppression diode	Suppression diode
Number of conductors x conductor cross-section	3x0.5mm ²	3x0.5mm ²
Degree of protection as per IEC 60529	IP 67	IP 67
Ambient temperature T _a	-25...+80°C	-25...+80°C

Valve plug

- (1) Type C, DIN, 8mm, 4-pin;
- (2) Type C, Industrial, 9.4mm, 4-pin

Type C

(1-1) DIN, 8 mm, 4-pin	Cable material	Color	Part number-xxx	Order code	
	PUR (Flexible cable)	Black	FCC VC02-0000-10-PX0350-xxx	6VC001-xxx	
	PVC (Fixed installation)	Grey	FCC VC02-0000-10-VX8350-xxx	6VC003-xxx	
Pin layout and wiring diagram 					
(2-1) Industry, 9.4 mm, 4-pin	Cable material	Color	Part number-xxx	Order code	
	PUR (Flexible cable)	Black	FCC VC42-0000-30-PX0350-xxx	6VC041-xxx	
	PVC (Fixed installation)	Grey	FCC VC42-0000-30-VX8350-xxx	6VC043-xxx	
Pin layout and wiring diagram 					

CE RoHS compliant Remarks: xxx=cable length, can be customized when ordering, the cable length is incremented by 0.5m, for example: 005=0.5m, 010=1m, 015=1.5m

Technical parameter

	Type C-(1-1) and (2-1)
Cable lead out	0°/180°
Max. supply voltage AC U _B	24 V
Max. supply voltage DC U _B	24 V
Cable	Casting
Current rating	4.0 A
Suppressor	Suppression diode
Number of conductors x conductor cross-section	3x0.5mm ²
Degree of protection as per IEC 60529	IP 67
Ambient temperature T _a	-25...+80°C

Valve plug

Pressure switch plug, 4-pin

Pressure switch plug

(1) Pressure switch plug, 4-pin	Cable material	Color	Part number-xxx	Order code	
	PVC (Fixed installation)	Grey	FCC PAT2-0000-10-VX8534-xxx	6VA101-xxx	
Pin layout and wiring diagram 					
(2) Pressure switch plug, 4-pin	Cable material	Color	Part number-xxx	Order code	
	PVC (Fixed installation)	Grey	FCC PAB2-0000-10-VX8534-xxx	6VA121-xxx	
Pin layout and wiring diagram 					

CE RoHS compliant Remarks: xxx=cable length, can be customized when ordering, the cable length is incremented by 0.5m, for example: 005=0.5m, 010=1m, 015=1.5m



Technical parameter

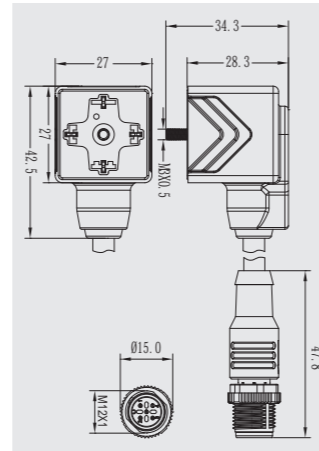
	Pressure switch plug-(1)	Pressure switch plug-(2)
Cable lead out	0°	180°
Max. supply voltage AC U _B	24 V	24 V
Max. supply voltage DC U _B	24 V	24 V
Cable	Casting	Casting
Current rating	4.0 A	4.0 A
Suppressor	No	No
Number of conductors x conductor cross-section	5x0.5mm ²	5x0.34mm ²
Degree of protection as per IEC 60529	IP 67	IP 67
Ambient temperature T _a	-25...+80°C	-25...+80°C


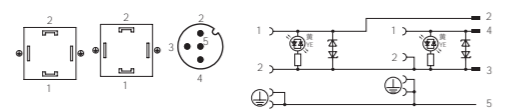
Valve plug

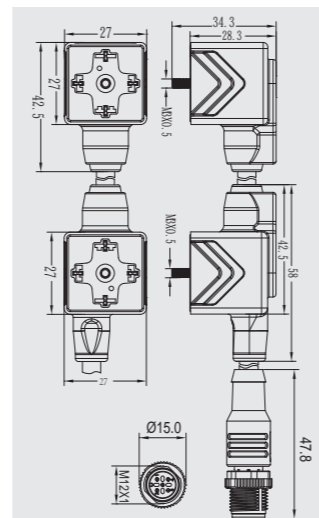
(1) Type A, DIN, 18mm, 4-pin; M12 straight male connector

Type A

(1-1) DIN, 18 mm, 4-pin; M12 male	Cable material	Color	Part number-xxx	Order code
	PUR (Flexible cable)	Black	FCC VA02-M413-30-PX0350-xxx	6VA041-xxx
	PVC (Fixed installation)	Grey	FCC VA02-M413-30-VX8350-xxx	6VA043-xxx
Pin layout and wiring diagram				
				



(1-2) DIN, 18 mm, 4-pin; M12 male	Cable material	Color	Part number-xxx	Order code
	PUR (Flexible cable)	Black	FCC VA02-VA02-M414-30-PX0350-L1/L2	6VA081-L1/L2
	PVC (Fixed installation)	Grey	FCC VA02-VA02-M414-30-VX8350-L1/L2	6VA083-L1/L2
Pin layout and wiring diagram				
				



CE RoHS compliant Remarks: xxx=cable length, can be customized when ordering, the cable length is incremented by 0.5m, for example: 005=0.5m, 010=1m, 015=1.5m



Technical parameter

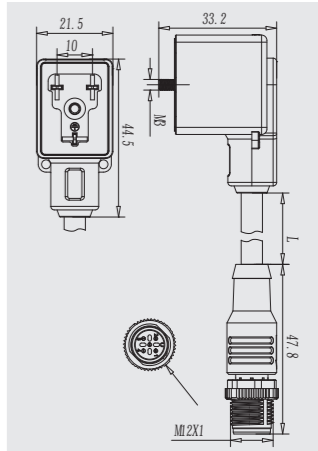
	Type A-(1-1)	Type A-(1-2)
Cable lead out	0°/180°	0°/180°
Max. supply voltage AC U _B	24 V	24 V
Max. supply voltage DC U _B	24 V	24 V
Cable	Casting	Casting
Current rating	4.0 A	4.0 A
Suppressor	Suppression diode	Suppression diode
Number of conductors x conductor cross-section	3x0.5mm ²	5x0.34mm ²
Degree of protection as per IEC 60529	IP 67	IP 67
Ambient temperature T _a	-25...+80°C	-25...+80°C



Valve plug

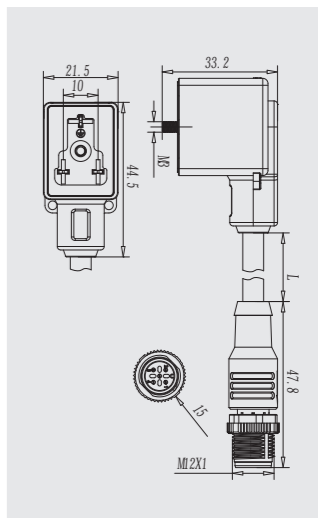
(1) Type B, DIN, 10mm, 3-pin; M12 straight male connector

Type B

(1-1) DIN, 10 mm, 3-pin; M12 male	Cable material	Color	Part number-xxx	Order code
	PUR (Flexible cable)	Black	FCC VB02-M413-30-PX0350-xxx	6VB041-xxx
	PVC (Fixed installation)	Grey	FCC VB02-M413-30-VX8350-xxx	6VB043-xxx
Pin layout and wiring diagram				
				



(1-2) DIN, 10 mm, 3-pin; M12 male	Cable material	Color	Part number-xxx	Order code
	PUR (Flexible cable)	Black	FCC VB22-M413-30-PX0350-xxx	6VB061-xxx
	PVC (Fixed installation)	Grey	FCC VB22-M413-30-VX8350-xxx	6VB063-xxx
Pin layout and wiring diagram				
				



CE RoHS compliant Remarks: xxx=cable length, can be customized when ordering, the cable length is incremented by 0.5m, for example: 005=0.5m, 010=1m, 015=1.5m

Technical parameter

	Type B-(1-1)	Type B-(1-2)
Cable lead out	0°	180°
Max. supply voltage AC U _B	24 V	24 V
Max. supply voltage DC U _B	24 V	24 V
Cable	Casting	Casting
Current rating	4.0 A	4.0 A
Suppressor	Suppression diode	Suppression diode
Number of conductors x conductor cross-section	3x0.5mm ²	3x0.5mm ²
Degree of protection as per IEC 60529	IP 67	IP 67
Ambient temperature T _a	-25...+80°C	-25...+80°C

Valve plug

(2) Type B, industrial, 11mm, 3-pin; M12 straight male connector

Type B

(2-1) Industrial, 11 mm, 3-pin; M12 male

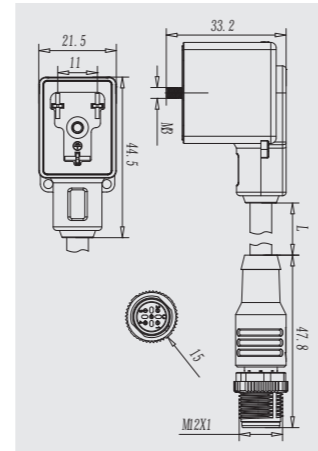


Cable material	Color	Part number-xxx	Order code
----------------	-------	-----------------	------------

PUR (Flexible cable) Black FCC VB42-M413-30-PX0350-xxx **6VB121-xxx**

PVC (Fixed installation) Grey FCC VB42-M413-30-VX8350-xxx **6VB123-xxx**

Pin layout and wiring diagram



(2-2) Industrial, 11 mm, 3-pin; M12 male

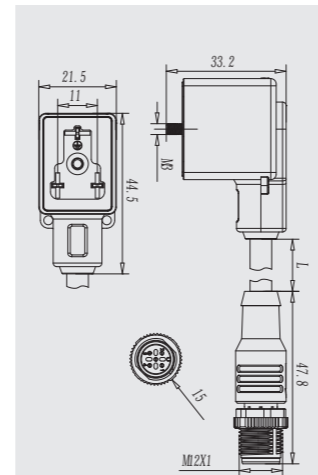


Cable material	Color	Part number-xxx	Order code
----------------	-------	-----------------	------------

PUR (Flexible cable) Black FCC VB62-M413-30-PX0350-xxx **6VB141-xxx**

PVC (Fixed installation) Grey FCC VB62-M413-30-VX8350-xxx **6VB143-xxx**

Pin layout and wiring diagram



CE RoHS compliant Remarks: xxx=cable length, can be customized when ordering, the cable length is incremented by 0.5m, for example: 005=0.5m, 010=1m, 015=1.5m

Technical parameter

	Type B-(2-1)	Type B-(2-2)
Cable lead out	0°	180°
Max. supply voltage AC U _B	24 V	24 V
Max. supply voltage DC U _B	24 V	24 V
Cable	Casting	Casting
Current rating	4.0 A	4.0 A
Suppressor	Suppression diode	Suppression diode
Number of conductors x conductor cross-section	3x0.5mm ²	3x0.5mm ²
Degree of protection as per IEC 60529	IP 67	IP 67
Ambient temperature T _a	-25...+80°C	-25...+80°C

Valve plug

(1) Type C, DIN, 8mm, 4-pin, M12 straight male;
(2) Type C, industrial, 9.4mm, 4-pin, M12 straight male

Type C

(1-1) DIN, 8 mm, 4-pin; M12 male

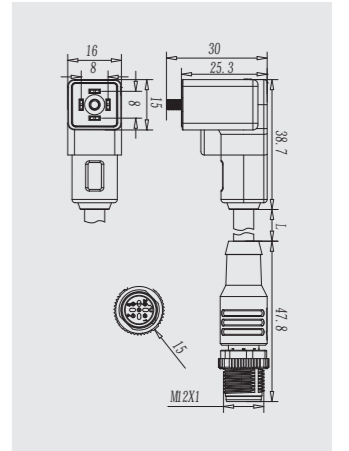


Cable material	Color	Part number-xxx	Order code
----------------	-------	-----------------	------------

PUR (Flexible cable) Black FCC VC02-M413-30-PX0350-xxx **6VC021-xxx**

PVC (Fixed installation) Grey FCC VC02-M413-30-VX8350-xxx **6VC023-xxx**

Pin layout and wiring diagram



(2-1) Industry, 9.4 mm, 4-pin; M12 male

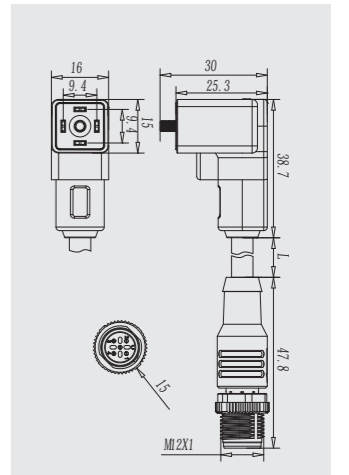


Cable material	Color	Part number-xxx	Order code
----------------	-------	-----------------	------------

PUR (Flexible cable) Black FCC VC62-M413-30-PX0350-xxx **6VC061-xxx**

PVC (Fixed installation) Grey FCC VC62-M413-30-VX8350-xxx **6VC063-xxx**

Pin layout and wiring diagram



CE RoHS compliant Remarks: xxx=cable length, can be customized when ordering, the cable length is incremented by 0.5m, for example: 005=0.5m, 010=1m, 015=1.5m

Technical parameter

	Type C-(1-1) and (2-1)
Cable lead out	0°/180°
Max. supply voltage AC U _B	24 V
Max. supply voltage DC U _B	24 V
Cable	Casting
Current rating	4.0 A
Suppressor	Suppression diode
Number of conductors x conductor cross-section	3x0.5mm ²
Degree of protection as per IEC 60529	IP 67
Ambient temperature T _a	-25...+80°C